

QuickSHIP Toilets

SPECS + INSTALLATION GUIDES



TOTO®



KOHLER®

v.4-24



For your convenience, these products are stocked in our Central Service Center.
Orders placed before noon are available within 1 business day.

mosaic 
Products. Design. Solutions.

Toto Aquia IV White Vitreous Toilet

- 1.28 / 0.8 GPF Tank
- 2-1/2" Trap diameter with clear glaze coating
- 12" Rough-in
- DynaMax™ Tornado Flush® ultra high efficiency flushing system
- Meets and exceeds ASME A112.19.2/ CSA B45.1 and ASME A112.19.14
- IAPMO(cUPC)® and EPA WaterSense Certified
- 1 Year Limited Warranty
- Close Coupled Toilet
- Chrome push-button
- Skirted Design
- Elongated Bowl; Universal Height
- Overall Dimensions:
15-9/16" W x 27-3/8" D x 29-5/16" H
- Color: Cotton White



Bowl	VACT446CUG-01
Tank	VAST446EMA-01
Soft Close Seat	VASS124-01

Innovation & Technology Highlights

DynaMax™ Tornado Flush

The Tornado Flush features two powerful nozzles that create a centrifugal, cyclonic rinsing action which reduces waste buildup and keeps the bowl cleaner. Using only 1.28 gallons per flush, this high-efficiency system is more effective in one flush than most toilets are with multiple flushes.

Skirted Design

The modern and elegant skirted design conceals the trapway and features smooth lines that are easy to clean and maintain.

Universal Height

Universal Height offers sinks and toilets at a more manageable height, making the bathroom more accessible and enjoyable for everyone. This simple design principle allows all people, from the beginning of their days through the rest of their lives, to completely enjoy their bathroom experience, regardless of age or ability.

WaterSense



A partnership program of the U.S. Environmental Protection Agency (EPA) makes it easier to save water and protect the environment by promoting water efficiency and enhancing the market for water-efficient products.



TOTO has always been an industry leader in green technology. TOTO currently has a number of products that meet the new California Green Buildings Standards Code (known as CalGreen).

See back of brochure for Installation instructions

Toto Drake White Vitreous Toilet

- 1.6 GPF Tank
- 2-1/8" Trap diameter
- 12" Rough-in
- Tornado Flush® ultra high efficiency siphon jet flushing system
- Meets and exceeds ASME A112.19.2/ CSA B45.1
- IAPMO(cUPC)® and EPA WaterSense Certified
- 1 Year Limited Warranty
- Washlet+ and auto flush upgrade compatibility
- Rimless with Elongated Bowl
- Universal Height is ADA Compliant
- Universal Height Overall Dimensions:
17-3/16" W x 28-3/8" D x 30-1/8" H
- Standard Height Overall Dimensions:
17-3/16" W x 28-5/16" D x 29" H
- Color: Cotton White



Universal Height, ADA

Bowl, ADA	VAC776CEFG-01
Tank	VAST776SA-01
Soft Close Seat	VASS114-01

Standard Height

Bowl	VAC776CEG-01
Tank	VAST776SA-01
Soft Close Seat	VASS114-01

Innovation & Technology Highlights

Tornado Flush

This Drake toilet features the quiet advantage of our powerful, water-saving TORNADO FLUSH® technology. Additionally, the CEFIONTECT® ceramic glaze minimizes debris from sticking to ceramic surfaces

Universal Height Option

Universal Height offers sinks and toilets at a more manageable height, making the bathroom more accessible and enjoyable for everyone. This simple design principle allows all people, from the beginning of their days through the rest of their lives, to completely enjoy their bathroom experience, regardless of age or ability.

ADA Compliant



A core principle behind TOTO Total Design, ADA standards consider the needs of everyone, no matter their needs, without additional adaptation or specialization, optimizing the bathroom experience for all generations in the family home.

WaterSense



A partnership program of the U.S. Environmental Protection Agency (EPA) makes it easier to save water and protect the environment by promoting water efficiency and enhancing the market for water-efficient products.



TOTO has always been an industry leader in green technology. TOTO currently has a number of products that meet the new California Green Buildings Standards Code (known as CalGreen).

See back of brochure for Installation instructions

Toto Entrada White Vitreous Toilet

- 1.28 GPF Tank
- 2-1/8" Trapway
- Rough in 12"
- E-Max high efficiency flushing system
- Meets and exceeds ASME A112.19.2/CSA B45.1
- 1 Year Limited Warranty
- Close Coupled Toilet
- Soft Close Seat
- Elongated Bowl
- 17" Height, ADA Compliant
- Overall Dimensions:
14-3/8" W x 28-5/8" D x 30" H



Bowl, 17" Height, ADA	VAC244EF-01
Tank	VAST243E-01
Soft Close Seat	VASS114-01

Innovation & Technology Highlights

E-Max

The E-Max flushing system provides a consistent and powerful flush using a combination of a wide 3" valve and an extra-large siphon jet. The innovative system is quiet and simple and uses only 1.28 gallons per flush. This amounts to a considerable water savings every day.



Universal Height

Universal Height offers sinks and toilets at a more manageable height, making the bathroom more accessible and enjoyable for everyone. This simple design principle allows all people, from the beginning of their days through the rest of their lives, to completely enjoy their bathroom experience, regardless of age or ability.

ADA Compliant



A core principle behind TOTO Total Design, ADA standards consider the needs of everyone, no matter their needs, without additional adaptation or specialization, optimizing the bathroom experience for all generations in the family home.

WaterSense



A partnership program of the U.S. Environmental Protection Agency (EPA) makes it easier to save water and protect the environment by promoting water efficiency and enhancing the market for water-efficient products.



TOTO has always been an industry leader in green technology. TOTO currently has a number of products that meet the new California Green Buildings Standards Code (known as CalGreen).

See back of brochure for Installation instructions

Toto Promenade II White Vitreous Toilet

- 1.28 GPF Tank
- 2-1/8" Trap diameter with clear glaze coating
- 12" Rough-in
- DynaMax™ Tornado Flush® ultra high efficiency flushing system
- Meets and exceeds ASME A112.19.2/ CSA B45.1
- IAPMO(cUPC)® and EPA WaterSense Certified
- 1 Year Limited Warranty
- Close Coupled Toilet
- Elongated Bowl
- Universal Height, ADA Compliant
- Overall Dimensions:
16-3/4" W x 28-1/2" D x 31-1/4" H
- Color: Cotton White



Bowl	VAC404CUFG-01
Tank	VAST403E-01
Soft Close Seat	VASS114-01

Due to the design of the Promenade toilet tank, Delta Universal toilet levers will not function properly. Ask a sales rep for additional information if you are interested in special order finish options.

Innovation & Technology Highlights

DynaMax™ Tornado Flush

The Tornado Flush features two powerful nozzles that create a centrifugal, cyclonic rinsing action which reduces waste buildup and keeps the bowl cleaner. Using only 1.28 gallons per flush, this high-efficiency system is more effective in one flush than most toilets are with multiple flushes.

Universal Height

Universal Height offers sinks and toilets at a more manageable height, making the bathroom more accessible and enjoyable for everyone. This simple design principle allows all people, from the beginning of their days through the rest of their lives, to completely enjoy their bathroom experience, regardless of age or ability.

ADA Compliant



A core principle behind TOTO Total Design, ADA standards consider the needs of everyone, no matter their needs, without additional adaptation or specialization, optimizing the bathroom experience for all generations in the family home.

WaterSense



A partnership program of the U.S. Environmental Protection Agency (EPA) makes it easier to save water and protect the environment by promoting water efficiency and enhancing the market for water-efficient products.



TOTO has always been an industry leader in green technology. TOTO currently has a number of products that meet the new California Green Buildings Standards Code (known as CalGreen).

See back of brochure for Installation instructions

Kohler Cimarron White Vitreous Toilet

- 1.28 GPF Tank
- 2-1/8" Trapway
- Rough in 12"
- AquaPiston flushing system
- Meets and exceeds ASME A112.19.2/CSA B45.1
- 1 Year Limited Warranty
- Soft Close Seat
- Elongated Bowl
- 17" Height, ADA Compliant
- Overall Dimensions:
15-7/16" W x 28-11/16" D x 30-5/8" H



Bowl, 17" Height, ADA	TSK-31588-0
Tank	TSK-31615-0
Soft Close Seat	TS011505
Brushed Nickel Handle	TS024445

Innovation & Technology Highlights

AquaPiston

Single-flush gravity uses the force of gravity and a precision-engineered tank, bowl, and trapway to create a strong siphon during flushing. The AquaPiston canister allows water to flow into the bowl from all sides (360 degrees), increasing the power and effectiveness of the flush. The flush valve's 3:2 ratio harnesses the natural force of gravity and optimizes flush performance. The durable canister design has 90% less exposed seal material than a 3-inch flapper for leak-free performance, and the light-touch canister flush requires a lower actuation force than a flapper.

DryLock™ Fast Install System

The DryLock System saves installation time and helps prevent water leakage. A metal bracket placed at the bottom of the tank means no bolt holes are drilled into the tank – virtually eliminating leaks.

ADA Compliant



Toilets displaying the ADA logo will comply with the Americans with Disabilities Act when installed per the requirements of the Accessibility Guidelines, Section 604 Water Closets.



See back of brochure for Installation instructions

Accessories

Hercules® Johni-Ring® Plus Standard Wax Bowl Gasket, For Use With 3" and 4" Waste Lines, Tan TS90210



Hercules® Johni-Ring® Plus Standard Wax Bowl Gasket With Plastic Horn, For Use With 3" and 4" Waste Lines, Tan TS90220



Aquaflo® MightyFlex™ Toilet Connector , Soft Cone Ballcock 7/8 in Inlet, Soft Cone Compression 3/8 in Outlet, Braided Stainless Steel Body TSSWC-120-PP



Closet Bolt With Acorn Nut and Round Washer, 2-1/4" OAL, Brass TSC02014



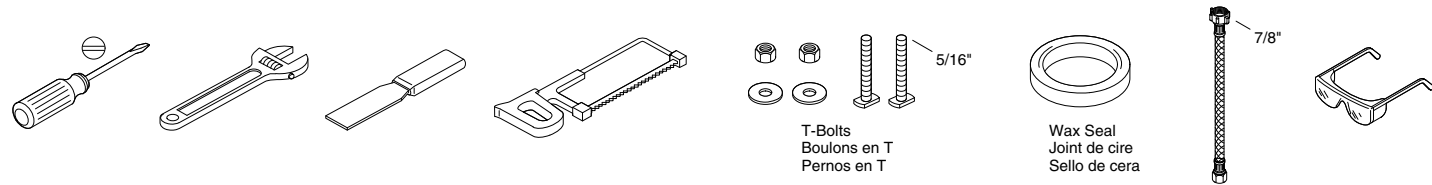
Universal Tank Levers



Universal Mount, 2-3/8" Long

Stainless	DE75960-SS
Matte Black	DE75960-BL
Champagne Bronze	DE75960-CZ

Kohler Cimarron Installation Guide



Observe all local plumbing and building codes.
Record your model number below for future reference:

Respecter tous les codes de plomberie et de bâtiment locaux.
Consigner le numéro de modèle ci-dessous pour toute référence ultérieure:

Cumpla todos los códigos locales de plomería y construcción.
Anote abajo el número de su modelo como referencia futura:

WARNING: Risk of property or product damage.
Do not use in-tank cleaners in your toilet. Products containing chlorine (calcium hypochlorite) can seriously damage fittings in the tank. This damage can cause leakage and property damage.

ADVERTISSEMENT: Risque de dommages matériel ou d'endommagement du produit.
Ne pas utiliser de détergents faits pour le réservoir dans la toilette. Les produits contenant du chlore (hypochlorite de calcium) peuvent sérieusement endommager les raccords du réservoir. Ceci peut créer des fuites et des dommages matériels.

ADVERTENCIA: Riesgo de daños al producto o a la propiedad.
No utilice productos para limpiar el inodoro que se colocan dentro del tanque. Los productos que contienen cloro (hipoclorito de calcio) pueden dañar las piezas del tanque. Esto puede causar fugas y daños a la propiedad.

Important Information
Remove the old toilet, T-bolts, and wax ring. Inspect and repair the water supply. If the toilet will not be installed right away, temporarily plug the waste flange with a rag.

Informations importantes
Retirer l'ancienne toilette, les boulons en T, et l'anneau de cire. Inspecter et réparer l'arrivée d'eau. Si la toilette n'est pas installée immédiatement, boucher temporairement la bride d'évacuation avec un chiffon.

Información importante
Retire el inodoro anterior, los pernos en T y el anillo de cera. Revise y repare el suministro de agua. Si el inodoro no va a ser instalado de inmediato, tape temporalmente la brida de drenaje con un trapo.

1 Install T-bolts and a new wax ring. Remove the rag if the waste flange was plugged.

Installer les boulons en T et un anneau de cire neuf. Retirer le chiffon si la bride d'évacuation était bouchée.

Instale los pernos en T y un anillo de cera nuevo. Retire el trapo si se cubrió la brida de drenaje.

2 Apply weight evenly. **Do not move after placement! Watertight seal may be broken!**

Appliquez du poids de manière égale. **Ne pas bouger après la mise en place! Le joint d'étanchéité pourrait se casser!**

Aplicar peso de manera uniforme. **¡No mueva después de colocarlo! ¡Se podría romper el sello hermético!**

3 Install the washers and nuts as shown. **Do not overtighten!**

Installer les rondelles et les écrous comme sur l'illustration. **Ne pas trop serrer!**

Instale las arandelas y las tuercas como se ilustra. **¡No apriete demasiado!**

4 If needed, cut the T-bolts before installing the caps.

Si nécessaire, couper les boulons en T avant d'installer les capuchons.

Si es necesario corte los pernos en T antes de instalar los tapapernos.

5 Install the gasket and the bolts onto the bracket.

Installer le joint d'étanchéité et les boulons sur le support.

Instale el empaque y los pernos en el soporte.

6 Tighten the bolts evenly. **Do not overtighten!**

Serrer les boulons de manière égale. **Ne pas trop serrer!**

Apriete al parejo los pernos. **¡No apriete demasiado!**

7 Connect and turn on the water supply. **Do not overtighten!** Check for leaks.

Connecter et ouvrir l'arrivée d'eau. **Ne pas trop serrer!** Rechercher des fuites.

Conecte y abra el suministro de agua. **¡No apriete demasiado!** Verifique que no haya fugas.

8 Adjust the water level to the waterline.

Régler le niveau d'eau du réservoir au niveau de la ligne d'eau.

Ajuste el nivel de agua a la línea de agua.

9 Install the tank lid.

Installer le couvercle du réservoir. Installe la tapa del tanque.

10 Open and lift the covers to remove.

Ouvrir et lever les couvercles pour les retirer.

Abra y levante las cubiertas para retirarlas.

11 Position the "+" toward the seat.

Positionner le "+" tourné vers le siège.

Coloque el símbolo "+" hacia el asiento.

12 Push the nuts up onto the bolts.

Enfoncer les écrous vers le haut sur les boulons.

Introduzca las tuercas en los pernos.

13 Hold the nuts while tightening the bolts to secure.

Tenir les écrous tout en serrant les boulons pour les fixer en place.

Sostenga las tuercas y apriete los pernos hasta que queden fijos.

14 Adjust (Optional): rotate the "+" toward the tank to reposition the seat.

Ajuster (optionnel): tourner le "+" vers le réservoir pour repositionner le siège.

Ajuste (opcional): Gire el símbolo "+" hacia el tanque para cambiar la posición del asiento.

15 Vertically position the covers, snap onto the hinges, and close.

Positionner les couvercles verticalement, enclencher sur les charnières et fermer.

Coloque las cubiertas en posición vertical, métalas a presión en las bisagras, y ciérrelas.

16 Quick-Release for Cleaning: Open the covers. Pull the seat straight back to remove.

Ouverture rapide pour le nettoyage: Ouvrir les couvercles. Tirer le siège entièrement vers l'arrière pour le retirer.

Desenganche rápido para limpieza: Abra las cubiertas. Jale el asiento directamente hacia atrás para sacarlo.



Toto Aquia IV Installation Guide

1. Open the Unifit Rough-In packaging. Follow the Unifit Rough-In Installation instruction to complete the rough-in installation (ill. 1).

2. Place the template into position and follow its instructions to prepare for installing the toilet bowl.

NOTICE Do not move the Unifit Rough-In on the Floor Flange after wax seal is set. If this notice is disregarded, discard the wax ring and replace with new wax ring.

3. Place the toilet bowl over the Unifit Rough-In and the two mounting blocks, by aligning the bowl outlet with the Unifit Rough-In opening (ill. 2).

NOTICE Insert the toilet all the way into position. If this notice is disregarded, leakage may result.

4. Align the toilet perpendicular to the back wall and parallel to side walls; it should not sit crooked or diagonal (ill. 3).

5. Install the side screws to the mounting blocks. Cover the screw head with the provided screw caps (ill. 4).

6. Install the tank-to-bowl mounting hardware to the tank (ill. 5).

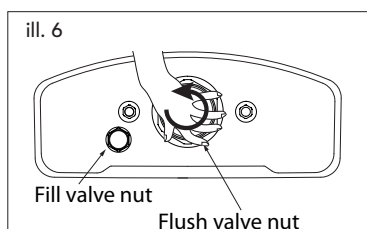
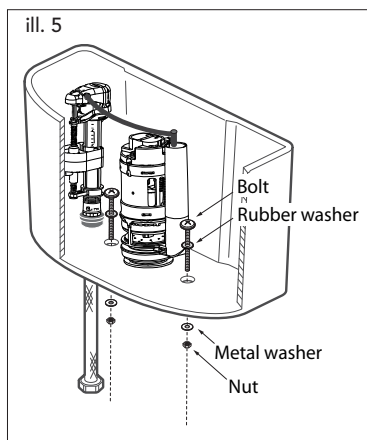
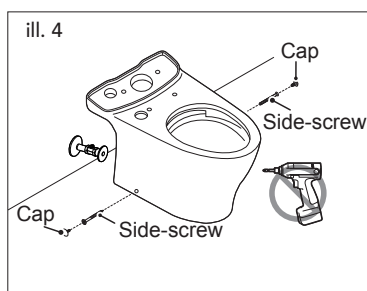
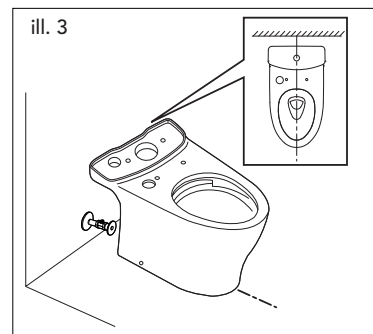
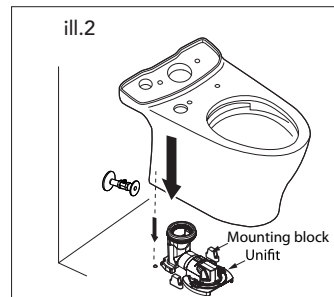
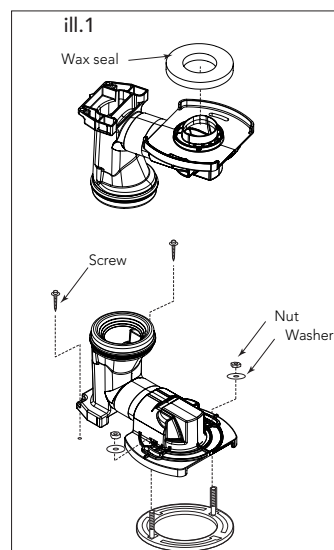
CAUTION Do NOT overtighten hardware, as it may break the china and cause personal injury or property damage.

7. Place the tank upside down onto some padding. Inspect the smaller fill valve nut and larger flush valve nut for a secure connection (ill. 6). Try to tighten the nuts with your hands. If loose, tighten the nut hand tight and an additional 1/4 turn for the smaller fill valve nut and an additional 1/2 turn for the larger flush tower nut.

NOTICE Make sure that the fill valve does not turn and hit the tank while tightening.

8. Connect the water supply hose (not provided) to the fill valve (ill. 6).

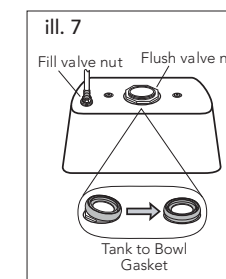
NOTICE The water supply hose must be connected to the fill valve BEFORE the tank-to-bowl installation.



MATERIALS REQUIRED:
(Not Included)

- Flexible supply hose
- Angle stop valve
- Wax ring

9. Place the tank-to-bowl gasket onto the flush tower nut (ill. 7). While pressing down, spread the gasket over the nut until the gasket touches the bottom of the tank. A slight gap between the tank bottom and the gasket is allowable.

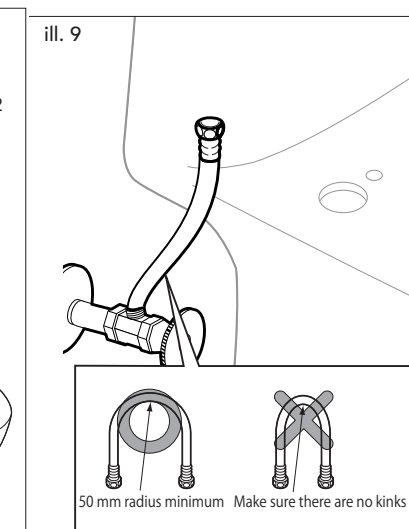
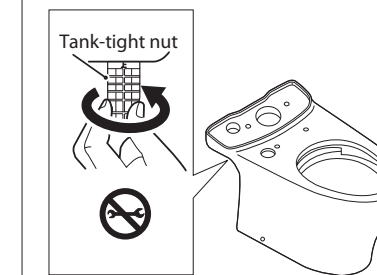
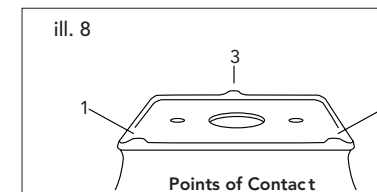


10. Pick up the tank and carefully guide the water supply hose over the bowl's fill valve hole, align the tank-to-bowl gasket over the inlet of the bowl, and align the tank bolts over the bolt holes of the bowl.

11. Using provided tank-tight nuts, hand tighten the nuts evenly until tank sets snugly on each of the 3 contact points on the bowl (ill. 8).

CAUTION Do not overtighten the mounting bolts. Overtightening may break the china and cause personal injury and/or property damage.

12. Install the flexible water supply hose to the angle stop (ill. 9). Make sure that the hose is free of kinks.



Carefully place the lid on top of the tank, making sure that the full flush push button is on the left side (ill. 10).

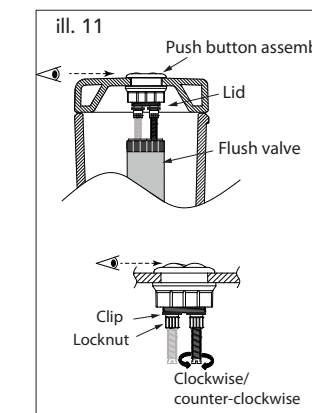
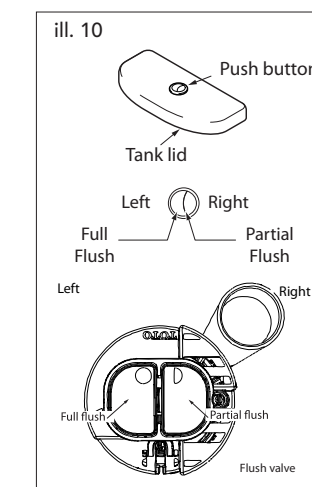
If necessary, adjust the length of the push button rods. They are factory set to the correct length, so only follow these steps if applicable to your situation.

If the push button rods are too short, the push buttons will not sit properly. If the push button rods are too long, the push button may continuously activate the flush valve. Correct with the following steps (see ill. 11):

1. Loosen the lock nuts counter-clockwise.
2. Turn the rods clockwise to shorten, counter-clockwise to lengthen (each full turn is 1mm).
3. Place the lid on the tank to check the adjustment.
4. When the adjustment is completed, tighten the lock nut to secure.

Turn on the water supply at the angle stop. Check ALL connections for leaks. Fix as needed.

The toilet seat is installed with the seat top mounting hardware. Refer to the seat installation instruction.



WARNING! Do not use in-tank bowl cleaners. The use of high concentration of chlorine or chlorine-related products can seriously damage fittings in the tank. This damage can cause leakage and property damage. TOTO shall not be responsible or liable for any tank fitting failure or damage caused by the use of in-tank bowl cleaners.

Toto Drake Installation Guide

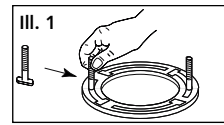
Tools Needed:

- 10" adjustable wrench
- Carpenter's Level
- Hacksaw
- Tape Measure
- Hand Pliers
- Flat Screwdriver
- Putty Knife

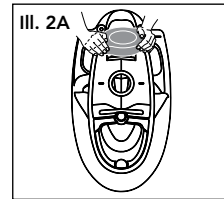
ADDITIONAL ITEMS (NOT SUPPLIED BY TOTO):

- Bowl Wax Ring
- Closet Flange Mounting Bolts (usually 2 T-bolts, 2 metal washers and 2 nuts)
- Water Supply Line (typically 1/2" compression to 7/8" ballcock)
- Toilet Seat (TOTO SoftClose recommended)

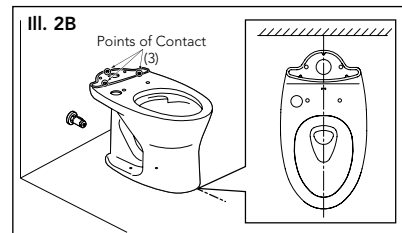
1) Clean any debris out of the closet flange and then install new mounting bolts (not supplied) into the slots of the closet flange (see Illustration 1). The head of the bolt should be inserted into the slot with its threads facing upward.



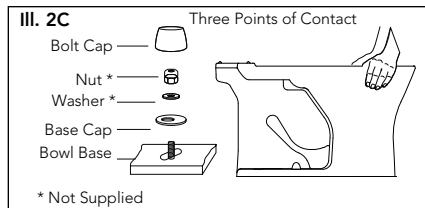
2) Carefully turn the toilet upside down onto some padding. Firmly press a new bowl wax ring (not supplied) onto the circular recess around the toilet bowl's horn (see Ill. 2A). Turn the toilet upright and gently lower into position over the closet flange. With toilet properly aligned, press firmly on both sides of toilet rim to set the bowl wax ring. (see Illustration 2B)



CAUTION: Do not move the bowl after the bowl wax ring is set. Thread the base caps, washers and nuts and tighten evenly until bowl is snug to closet flange. Install the bolt caps (see Illustration 2C).



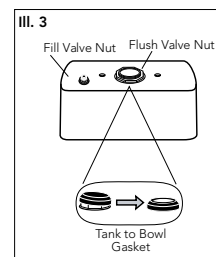
CAUTION: Do not over-tighten the nuts as damage to the china bowl may result.



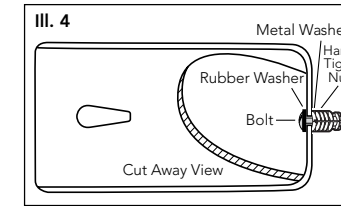
NOTE: Three Points of Contact: The toilet bowl has three points of contact, which will actually contact the bottom of the toilet tank when properly installed. The location of these points can be seen on the bowl at the tank receiving area. The three points are front left (1), front right (2), and back center (3). Recall these three points during the Toilet Tank installation.

3) Place the tank upside down onto some padding. Inspect the smaller fill valve nut and larger flush valve nut for a secure connection (see Illustration 3). Try to tighten the nuts with your hands. If loose, tighten the nut hand tight and an additional 1/4 turn for the smaller fill valve nut and an additional 1/2 turn for the larger flush valve nut.

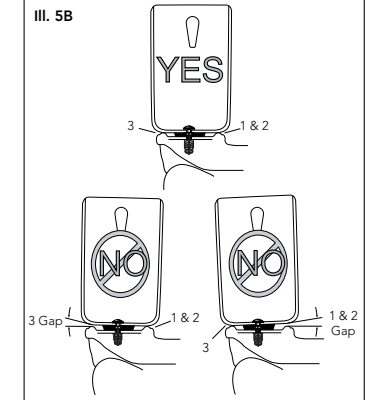
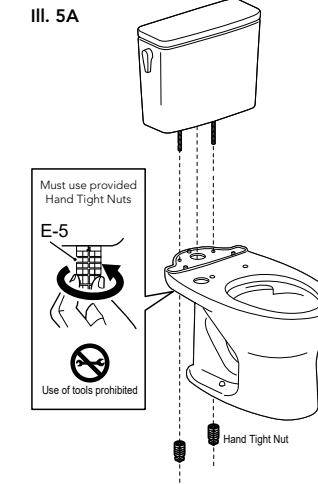
Place the tank-to-bowl gasket onto the flush valve nut. While pressing down, spread the gasket over the nut until the gasket touches the bottom of the tank. A slight gap between the tank bottom and the gasket is allowable. See illustration 3.



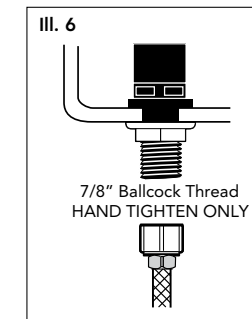
4) Lay the tank down on its back. Place a rubber washer onto a bolt (see Illustration 4). Reach inside the tank and position the bolt through one of the holes in the bottom of the tank. On the outside of the tank, place a metal washer and nut onto the bolt. Hold the bolt centered in the hole and tighten the nut finger tight. Turn the nut an additional 1/2 turn with a wrench. Repeat this process for the remaining hole in the tank.



5) Pick up the tank and carefully guide the bolts to align the tank with the bowl. Attach hand tight nut to each bolt (see illustration 5A). Tighten until tank makes THREE POINTS OF CONTACT with the bowl (see illustration 5B).



6) Flush the water supply line for a few seconds to remove any debris that may enter the new fill valve. (For new home constructions and/or additions, flush the water supply line for more than a minute to help remove any residual PVC adhesives, solder flux, and/or pipe sealants that were used for the new plumbing.) Connect the water supply line to the fill valve threads as seen at the bottom of toilet tank (see Illustration 6). Tighten this connection finger tight.



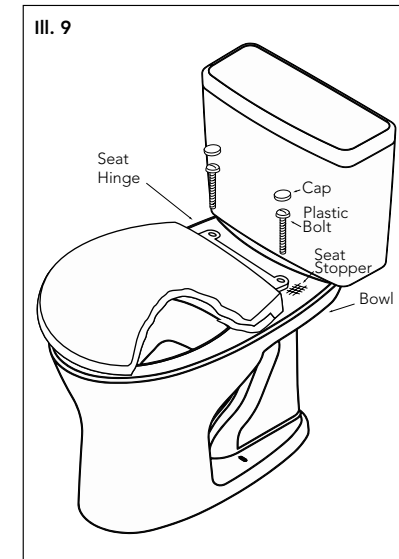
CAUTION: Avoid using a wrench to tighten the connection as you may damage the plastic threads and/or cause the fill valve to rotate inside the tank.

NOTE: The water supply pressure should be 20 to 80 psi static.

7) Flush toilet a few times to check for issues and leaks. Make sure NO WATER LEAK on bowl and tank.

8) Install the toilet tank lid onto the toilet tank top.

9) Install the toilet seat onto the toilet bowl using the mounting hardware in the toilet seat box. Place seat onto bowl and rotate the hinge down. Position seat stoppers under the seat hinge. Insert bolt into seat hinge and through the toilet bowl. Install plastic nut onto bolt from underneath. Tighten the bolt securely. Install the seat bolt caps.



NOTE: Tighten the seat bolt until the hinge is secure. The seat and lid will have slight side to side movement, which is normal. This freedom of movement allows the seat to SoftClose® without binding.

WARNING! Do not use in-tank bowl cleaners. The use of high concentration of chlorine or chlorine-related products can seriously damage fittings in the tank. This damage can cause leakage and property damage. TOTO shall not be responsible or liable for any tank fitting failure or damage caused by the use of in-tank bowl cleaners.

Toto Entrada and Promenade II Installation Guide

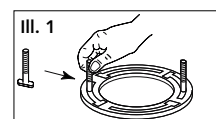
Tools Needed:

- 10" adjustable wrench
- Carpenter's Level
- Hacksaw
- Tape Measure
- Hand Pliers
- Flat Screwdriver
- Putty Knife

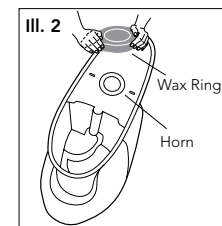
ADDITIONAL ITEMS (NOT SUPPLIED BY TOTO):

- Bowl Wax Ring
- Closet Flange Mounting Bolts (usually 2 T-bolts, 2 metal washers and 2 nuts)
- Water Supply Line (typically 1/2" compression to 7/8" ballcock)
- Toilet Seat (TOTO SoftClose recommended)

1) Clean any debris out of the closet flange and then install new mounting bolts (not supplied) into the slots of the closet flange (see Illustration 1). The head of the bolt should be inserted into the slot with its threads facing upward.



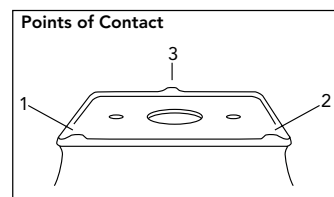
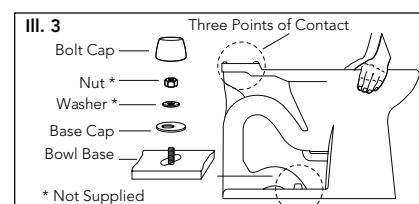
2) Carefully turn the toilet upside down onto some padding. Firmly press a new bowl wax ring (not supplied) onto the circular recess around the toilet bowl's horn (see Illustration 2). Turn the toilet upright and gently lower into position over the closet flange. With toilet properly aligned, press firmly on both sides of toilet rim to set the bowl wax ring (see Illustration 3).



CAUTION: Do not move the bowl after the bowl wax ring is set. Thread the nuts and tighten evenly until bowl is snug to closet flange. Install the bolt caps (see Illustration 3).

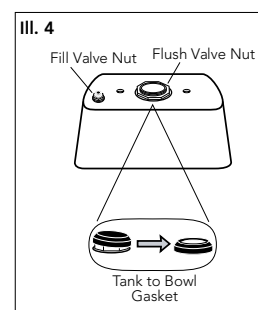
CAUTION: Do not over-tighten the nuts as damage to the china bowl may result.

NOTE: Three Points of Contact: The toilet bowl has three points of contact, which will actually contact the bottom of the toilet tank when properly installed. The location of these points can be seen on the bowl at the tank receiving area. The three points are front left (1), front right (2), and back center (3). Recall these three points during the Toilet Tank installation.

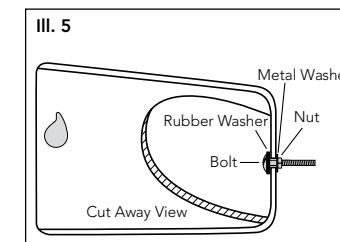


3) Place the tank upside down onto some padding. Inspect the smaller fill valve nut and larger flush valve nut for a secure connection (see Illustration 4). Try to tighten the nuts with your hands. If loose, tighten the nut hand tight and an additional 1/4 turn for the smaller fill valve nut and an additional 1/2 turn for the larger flush valve nut.

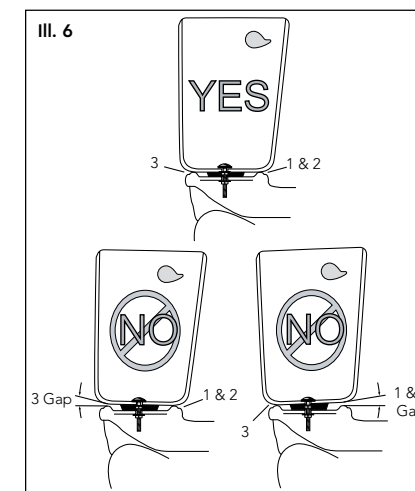
Place the tank-to-bowl gasket onto the flush valve nut. While pressing down, spread the gasket over the nut until the gasket touches the bottom of the tank. A slight gap between the tank bottom and the gasket is allowable.



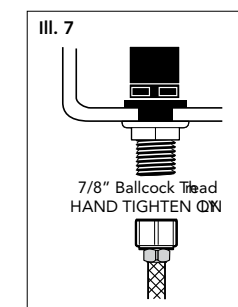
4) Lay the tank down on its back. Place a rubber washer onto a brass bolt (see Illustration 5). Reach inside the tank and position the bolt through one of the holes in the bottom of the tank. On the outside of the tank, place a metal washer and nut onto the bolt. Hold the bolt centered in the hole and tighten the nut finger tight. Turn the nut an additional 1/2 turn with a wrench. Repeat this process for the remaining hole in the tank.



Pick up the tank and carefully guide the brass bolts to align the tank with the bowl. Attach a metal washer and nut to each bolt. Tighten the nuts finger tight and inspect that the tank is level (see Illustration 6). Once level, tighten the bolts equally until the tank makes THREE POINTS OF CONTACT with the bowl.



5) Flush the water supply line for a few seconds to remove any debris that may enter the new fill valve. (For new home constructions and/or additions, flush the water supply line for more than a minute to help remove any residual PVC adhesives, solder flux, and/or pipe sealants that were used for the new plumbing.) Connect the water supply line to the fill valve threads as seen at the bottom of toilet tank (see Illustration 7). Tighten this connection finger tight.



CAUTION: Avoid using a wrench to tighten the connection as you may damage the plastic threads and/or cause the fill valve to rotate inside the tank.

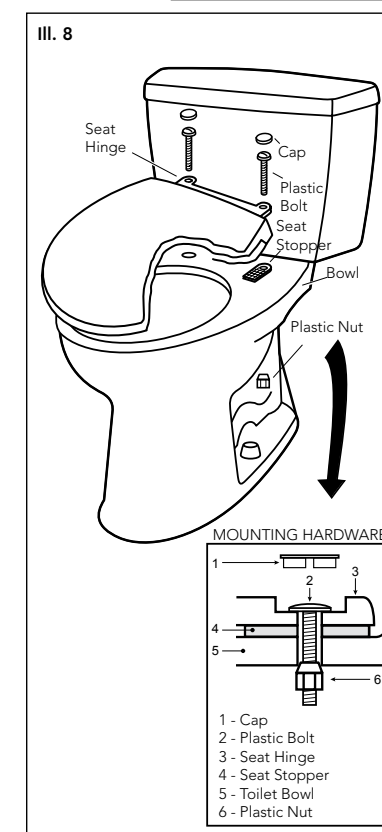
NOTE: The water supply pressure should be 20 to 80 psi static.

6) No ballcock / fill valve adjustments are needed. The water will automatically stop at proper level. Flush the toilet several times. Check flapper valve for proper operation. Make sure that chain is not tangled and that the flapper arm is in its proper position.

7) Install the toilet tank lid onto the toilet tank top.

8) Install the toilet seat onto the toilet bowl using the mounting hardware in the toilet seat box. Place seat onto bowl and rotate the hinge down. Position seat stoppers under the seat hinge. Insert bolt into seat hinge and through the toilet bowl. Install plastic nut onto bolt from underneath. Tighten the bolt securely. Install the seat bolt caps.

NOTE: Tighten the seat bolt until the hinge is secure. The seat and lid will have slight side to side movement, which is normal. This freedom of movement allows the seat to SoftClose® without binding.



WARNING! Do not use in-tank bowl cleaners. The use of high concentration of chlorine or chlorine-related products can seriously damage fittings in the tank. This damage can cause leakage and property damage. TOTO shall not be responsible or liable for any tank fitting failure or damage caused by the use of in-tank bowl cleaners.



mosaic 
 Products. Design. Solutions.

Alexandria, VA | Chantilly, VA | Fairfax, VA | Richmond, VA | Virginia Beach, VA
 North Bethesda, MD* | Owings Mills, MD* | Greensboro, NC | Raleigh, NC

www.mosaictileco.com



Noted (*) locations are
 100% wind powered!
 All locations support
 renewable power sources.

