

Kitchen Cabinetry



v.10-23



**Kitchen
Cabinet
Distributors**

mosaic



Products. Design. Solutions.

Let us help you design your dream kitchen! In just a few simple steps, our designers can create the space you've always wanted. Here's how the process works.

First, we need your current layout – including the exact locations of plumbing, electrical, and any other obstacles that may impact where cabinetry can and cannot be installed. Remember, the measurements are important. If we don't have accurate information, your results could be jeopardized. Ask a sales associate for a copy of our Quick Measure Guide for more details.

Once we have your measurements, select a door style, and we can discuss different layout options. With this general plan, we can provide you with a basic budgetary estimation of the materials cost. Once you've confirmed that meets your needs, we move into a more formal design phase.

Mosaic charges a \$1,000 design retainer that is fully applied towards the purchase of your new kitchen. Mosaic will provide renderings, detailed plans, and layouts for you and your contractor that show the exact placement and dimensions of everything in your project. This fee includes up to three revisions. Anything beyond that may incur additional charges based on the complexity involved.

Once the design is finalized, we will review with you and your installer in detail to confirm all items are approved and signed off on. Material must be paid in full at the time of order placement. We are excited to work with you and look forward to seeing the end results!

CONTENTS

2	Styles
4	Product Comparison
6	Wall Cabinets
9	Base Cabinets
12	Tall Cabinets
13	Moldings & Trim
14	Fillers & Panels
15	Decorative Accessories
16	Attachments & Inserts
17	Products by Cabinet Line



All products are CARB and TSCA VI compliant. These standards regulate formaldehyde emissions of composite wood products, requiring third-party laboratory testing to ensure emissions are within allowable limits.



With the highest quality materials and finest attention to detail, our Premier Series offers distinctive touches and superb craftsmanship. Whether you love traditional or modern design, the Premier Series has a look to fit your lifestyle. Features include full overlay doors, plywood boxes, a solid wood dovetail drawer box, as well as a five-piece drawer head and soft close doors and drawers.

SHAKER

BROOKLYN



DESIGNER WHITE

ESPRESSO

MODERN GRAY

BRIGHT WHITE



SAND

KODIAK

SLATE

MIDNIGHT NAVY



NAPA

WHITE



ESSENTIAL

With the Essential series, transform any space with stunning partial overlay cabinets that satisfy both traditional and modern design palettes. This versatile look fits any lifestyle, at an attractive price point.

WHITE

GRAY



Product Comparison

	Shaker Designer White	Shaker Espresso	Brooklyn Modern Gray	Brooklyn Bright White	Brooklyn Slate	Brooklyn Midnight Navy
Premier						
Cabinet Box	1/2", 7-Ply, Plywood	1/2", 7-Ply, Plywood	1/2", 7-Ply, Plywood	1/2", 7-Ply, Plywood	1/2", 7-Ply, Plywood	1/2", 7-Ply, Plywood
Drawer Box	5/8" Solid Wood, Dovetailed	5/8" Solid Wood, Dovetailed	5/8" Solid Wood, Dovetailed	5/8" Solid Wood, Dovetailed	5/8" Solid Wood, Dovetailed	5/8" Solid Wood, Dovetailed
Drawer Slides	Undermount, Full Extension, Metal, Soft Close w/ Ball Bearings	Undermount, Full Extension, Metal, Soft Close w/ Ball Bearings	Undermount, Full Extension, Metal, Soft Close w/ Ball Bearings	Undermount, Full Extension, Metal, Soft Close w/ Ball Bearings	Undermount, Full Extension, Metal, Soft Close w/ Ball Bearings	Undermount, Full Extension, Metal, Soft Close w/ Ball Bearings
Wood Species	Birch	Birch	Birch	Birch	Birch	Birch
Door Hinge	DTC 6-Way Adjustable, Soft Close	DTC 6-Way Adjustable, Soft Close	DTC 6-Way Adjustable, Soft Close	DTC 6-Way Adjustable, Soft Close	DTC 6-Way Adjustable, Soft Close	DTC 6-Way Adjustable, Soft Close
Shelves	Adjustable, 3/4" Plywood	Adjustable, 3/4" Plywood	Adjustable, 3/4" Plywood	Adjustable, 3/4" Plywood	Adjustable, 3/4" Plywood	Adjustable, 3/4" Plywood
Finish Color	Designer White	Espresso Stain	Modern Gray	Bright White	Slate Stain	Midnight Navy
Interior Finish	Natural	Natural	Natural	Natural	Natural	Natural
Glazing	No	No	No	No	No	No
Base Corner Reinforcement	3" Plywood Stretchers	3/4" Plywood Blocks	3" Plywood Stretchers	3" Plywood Stretchers	3" Plywood Stretchers	3" Plywood Stretchers
Face Frame	1-1/2" Rails and Stiles, Solid Wood	1-1/2" Rails and Stiles, Solid Wood	1-1/2" Rails and Stiles, Solid Wood	1-1/2" Rails and Stiles, Solid Wood	1-1/2" Rails and Stiles, Solid Wood	1-1/2" Rails and Stiles, Solid Wood
Door	Full Overlay 5-Piece with Solid Center Panel; 2-3/4" Stiles and Rails	Full Overlay 5-Piece with Solid Center Panel; 3-1/2" Stiles and Rails	Full Overlay 5-Piece with Solid Center Panel; 3" Stiles and Rails	Full Overlay 5-Piece with Solid Center Panel; 3" Stiles and Rails	Full Overlay 5-Piece with Solid Center Panel; 3" Stiles and Rails	Full Overlay 5-Piece with Solid Center Panel; 3" Stiles and Rails
Drawer Head	Slab or 5-Piece with Solid Center Panel; 2-3/4" Stiles and 1-7/8" Rails	5-Piece with Solid Center Panel; 2-3/4" Stiles and 2-3/4" Rails	5-Piece with Solid Center Panel; 3" Stiles and 2" Rails	5-Piece with Solid Center Panel; 3" Stiles and 2" Rails	5-Piece with Solid Center Panel; 3" Stiles and 2" Rails	5-Piece with Solid Center Panel; 3" Stiles and 2" Rails
Design & Structure	Meets Leading Industry Standards	Meets Leading Industry Standards	Meets Leading Industry Standards	Meets Leading Industry Standards	Meets Leading Industry Standards	Meets Leading Industry Standards
Assembly	Glue and Staples, No Cams or Brackets	Glue and Staples, No Cams or Brackets	Glue and Staples, No Cams or Brackets	Glue and Staples, No Cams or Brackets	Glue and Staples, No Cams or Brackets	Glue and Staples, No Cams or Brackets
Toe Kick Depth w/ TK Skin	3.75"	3.75"	3.75"	3.75"	3.75"	3.75"
Certifications	KCMA certified, CARB II, TSCA VI, and E1 certified	KCMA certified, CARB II, TSCA VI, and E1 certified	KCMA certified, CARB II, TSCA VI, and E1 certified	KCMA certified, CARB II, TSCA VI, and E1 certified	KCMA certified, CARB II, TSCA VI, and E1 certified	KCMA certified, CARB II, TSCA VI, and E1 certified

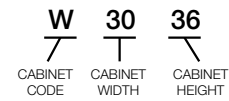


Product Comparison

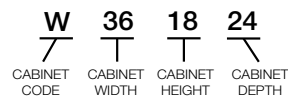
	Napa White	White	Gray
Premier		Essential	
Cabinet Box	1/2", 7-Ply, Plywood	1/2" Particle Board with Plywood Back	1/2" Particle Board with Plywood Back
Drawer Box	5/8" Solid Wood, Dovetailed	5/8" Solid Wood, Dovetailed	5/8" Solid Wood, Dovetailed
Drawer Slides	Undermount, Full Extension, Metal, Soft Close w/ Ball Bearings	Undermount (not soft close)	Undermount (not soft close)
Wood Species	Birch	MDF Door and Drawers	MDF Door and Drawers
Door Hinge	DTC 6-Way Adjustable, Soft Close	Soft Close	Soft Close
Shelves	Adjustable, 3/4" Plywood	Adjustable, 3/4" Particleboard	Adjustable, 3/4" Particleboard
Finish Color	Bright White	White	Gray
Interior Finish	Natural	Natural	Natural
Glazing	No	No	No
Base Corner Reinforcement	3" Plywood Stretchers	3" Plywood Stretchers	3" Plywood Stretchers
Face Frame	1-1/2" Rails and Stiles, Solid Wood	Rubber Wood with Interlocking joints	Rubber Wood with Interlocking joints
Door	Full Overlay 5-Piece with Solid Center Panel; 2-3/4" Stiles and Rails	Partial overlay MDF; 5-Piece HDF Door Rails and Stiles with MDF center panel; 2-3/4" Stiles and Rails	Partial overlay MDF; 5-Piece HDF Door Rails and Stiles with MDF center panel; 2-3/4" Stiles and Rails
Drawer Head	5 Piece with Solid Center Panel; 2-3/4" Stiles and 1-7/8" Rails	5 Piece with Solid Center Panel; 2-3/4" Stiles and 1-7/8" Rails	5 Piece with Solid Center Panel; 2-3/4" Stiles and 1-7/8" Rails
Design & Structure	Meets Leading Industry Standards	Meets Leading Industry Standards	Meets Leading Industry Standards
Assembly	Glue and Staples, No Cams or Brackets	Glue and Staples, No Cams or Brackets	Glue and Staples, No Cams or Brackets
Toe Kick Depth w/ TK Skin	3.75"	3.75"	3.75"
Certifications	KCMA certified, CARB II, TSCA VI, and E1 certified	KCMA certified, CARB II, TSCA VI, and E1 certified	KCMA certified, CARB II, TSCA VI, and E1 certified

Wall Cabinet Coding

Standard (12" Deep)



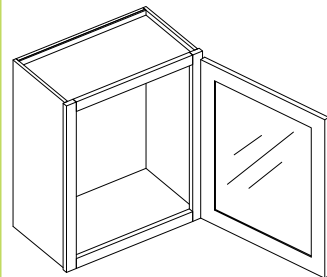
Refrigerator



Notes:

- Standard wall cabinets are 12" deep. Refrigerator cabinets are 24" deep.
- Add door thickness for total cabinet depth.
- Please refer to the Products by Cabinet Line chart to determine which products are carried for each cabinet line.

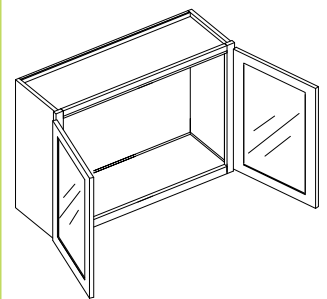
15" Wall Stacking Cabinets with Glass



Item Code	Outer Dimensions		
	W	H	D
WS1215	12	15	12
WS1515	15	15	12
WS1815	18	15	12
WS2115	21	15	12

*Door comes pre-routed with glass insert and finished interior

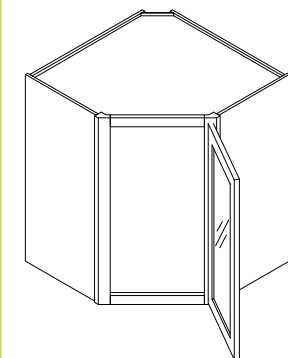
15" Wall Stacking Cabinets with Glass



Item Code	Outer Dimensions		
	W	H	D
WS2415-2	24	15	12
WS2715-2	27	15	12
WS3015-2	30	15	12
WS3315-2	33	15	12
WS3615-2	36	15	12

*Door comes pre-routed with glass insert and finished interior

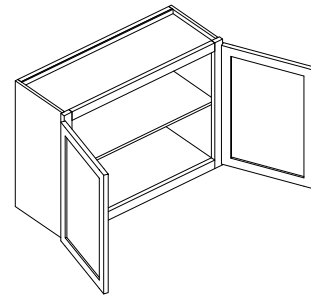
15" Corner Wall Stacking Cabinet with Glass



Item Code	Outer Dimensions		
	W	H	D
CWS2415	24	15	12
CWS2715	27	15	15

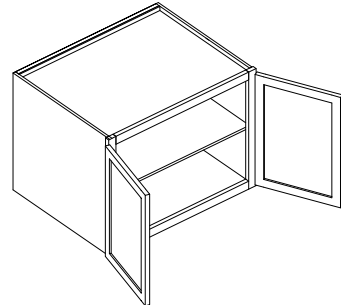
*Door comes pre-routed with glass insert and finished interior

24" High Double Door Wall



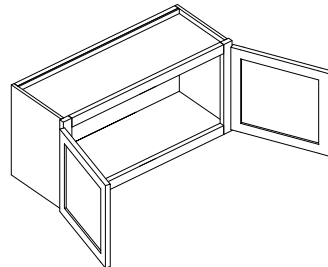
Item Code	Outer Dimensions		
	W	H	D
W3024	30	24	12
W3324	33	24	12
W3624	36	24	12

24" Deep Wall (Refrigerator Cabinet)



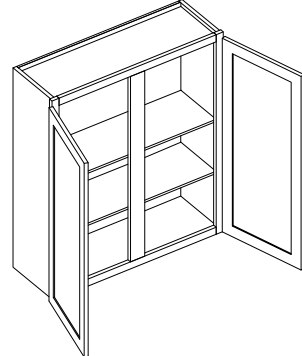
Item Code	Outer Dimensions		
	W	H	D
W361824	36	18	24
W362424	36	24	24

12" - 21" High Double Door Wall



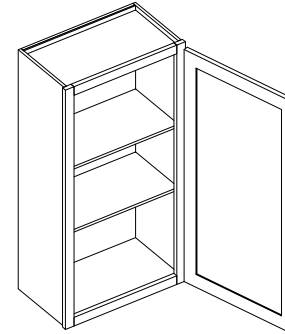
Item Code	Outer Dimensions		
	W	H	D
W3012	30	12	12
W3612	36	12	12
W3015	30	15	12
W3315	33	15	12
W3615	36	15	12
W3018	30	18	12
W3318	33	18	12
W3618	36	18	12
W3021	30	21	12

30" - 36" High Double Door with Center Stile



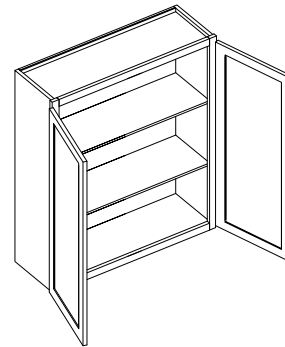
Item Code	Outer Dimensions		
	W	H	D
W4230	42	30	12
W4236	42	36	12

30" - 36" High Single Door Wall



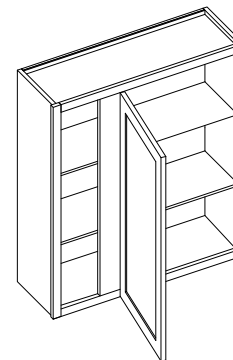
Item Code	Outer Dimensions		
	W	H	D
W930	9	30	12
W1230	12	30	12
W1530	15	30	12
W1830	18	30	12
W2130	21	30	12
W936	9	36	12
W1236	12	36	12
W1536	15	36	12
W1836	18	36	12
W2136	21	36	12

30" - 36" High Double Door Wall



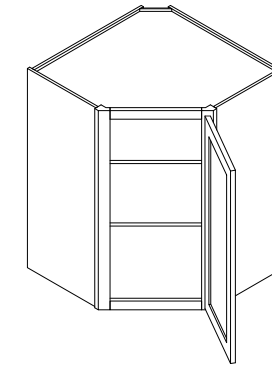
Item Code	Outer Dimensions		
	W	H	D
W2430-2	24	30	12
W2730	27	30	12
W3030	30	30	12
W3330	33	30	12
W3630	36	30	12
W3930	39	30	12
W2436-2	24	36	12
W2736	27	36	12
W3036	30	36	12
W3336	33	36	12
W3636	36	36	12
W3936	39	36	12

30" - 36" High Blind Wall



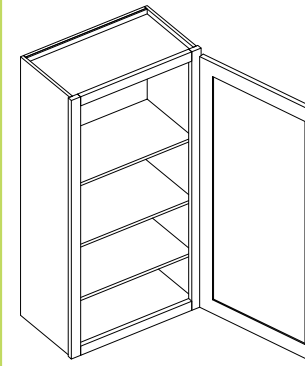
Item Code	Outer Dimensions		
	W	H	D
BW2430	24	30	12
BW3030	30	30	12
BW3630	36	30	12
BW2436	24	36	12
BW3036	30	36	12
BW3636	36	36	12

30" - 36" High Corner Wall



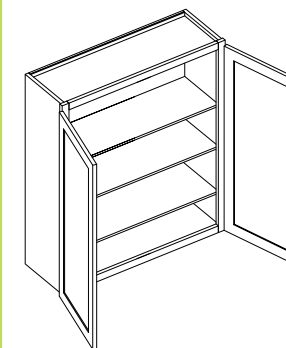
Item Code	Outer Dimensions		
	W	H	D
CW2430	24	30	12
CW2436	24	36	12
CW2736	27	36	15

42" High Single Door Wall



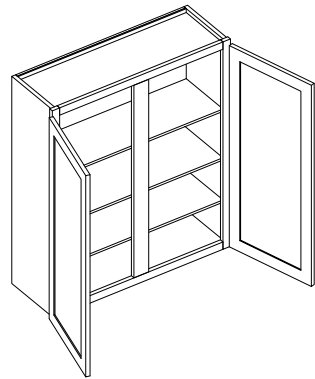
Item Code	Outer Dimensions		
	W	H	D
W942	9	42	12
W1242	12	42	12
W1542	15	42	12
W1842	18	42	12
W2142	21	42	12

42" High Double Door Wall



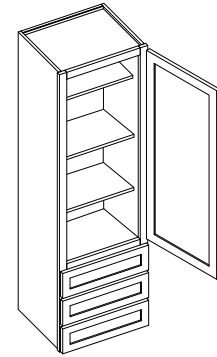
Item Code	Outer Dimensions		
	W	H	D
W2442-2	24	42	12
W2742	27	42	12
W3042	30	42	12
W3342	33	42	12
W3642	36	42	12
W3942	39	42	12

42" High Double Door Wall with Center Stile



Item Code	Outer Dimensions		
	W	H	D
W4242	42	42	12

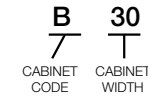
Wall Tower with 3 Drawers



Item Code	Outer Dimensions		
	W	H	D
DWR1548	15	48	15
DWR1554	15	54	15
DWR1560	15	60	15

*Works great with a vanity

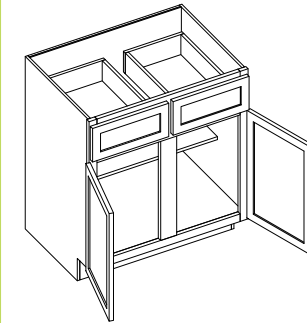
Base Cabinet Coding



Notes:

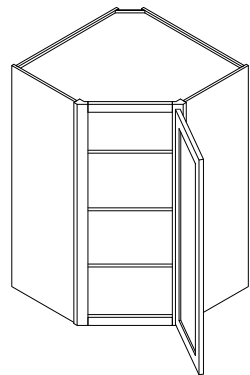
- Standard base cabinets are 24" deep and 34.5" high.
- Add door thickness for total cabinet depth.
- Please refer to the Products by Cabinet Line chart to determine which products are carried for each cabinet line.

Double Door Standard Base with Center Stile



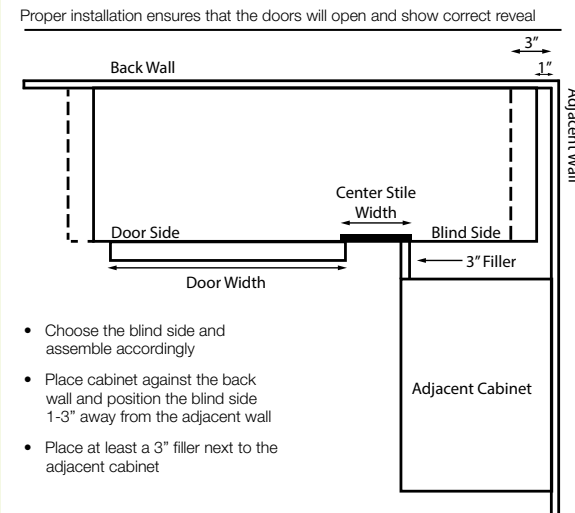
Item Code	Outer Dimensions		
	W	H	D
B42	42	34.5	24

42" High Corner Wall



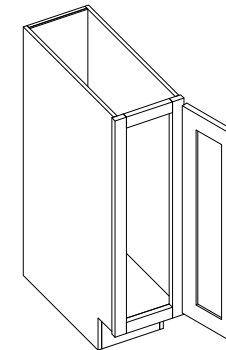
Item Code	Outer Dimensions		
	W	H	D
CW2442	24	42	12
CW2742	27	42	15

Installing a Blind Wall Cabinet



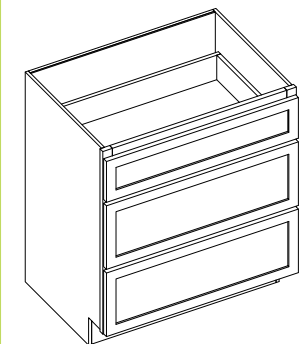
- Choose the blind side and assemble accordingly
- Place cabinet against the back wall and position the blind side 1-3" away from the adjacent wall
- Place at least a 3" filler next to the adjacent cabinet

Single Door Full Height Base



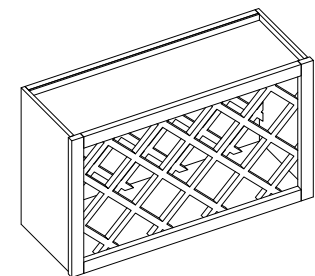
Item Code	Outer Dimensions		
	W	H	D
B09	9	34.5	24

Drawer Base



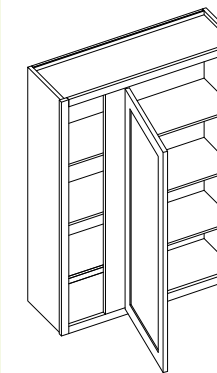
Item Code	Outer Dimensions		
	W	H	D
DB12-3	12	34.5	24
DB15-3	15	34.5	24
DB18-3	18	34.5	24
DB21-3	21	34.5	24
DB24-3	24	34.5	24
DB30-3	30	34.5	24
DB36-3	36	34.5	24

Wine Rack



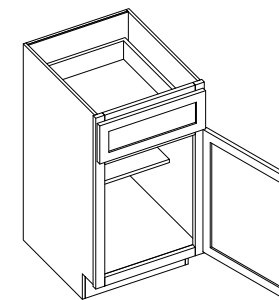
Item Code	Outer Dimensions		
	W	H	D
WR3018	30	18	12

42" High Blind Wall



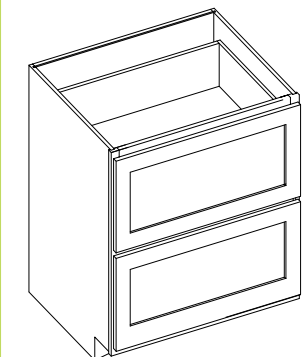
Item Code	Outer Dimensions		
	W	H	D
BW2442	24	42	12
BW3042	30	42	12
BW3642	36	42	12

Single Door Standard Base



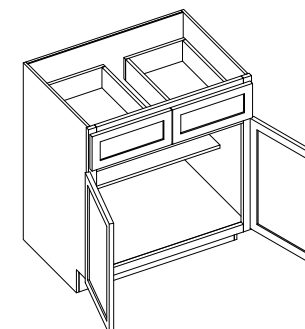
Item Code	Outer Dimensions		
	W	H	D
B12	12	34.5	24
B15	15	34.5	24
B18	18	34.5	24
B21	21	34.5	24

Drawer Base - 2 Drawer



Item Code	Outer Dimensions		
	W	H	D
DB30-2	30	34.5	24

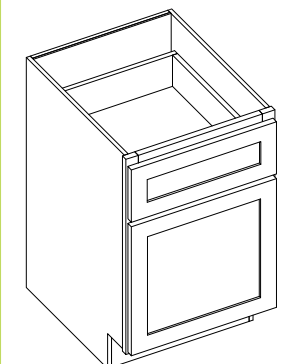
Double Door Standard Base



Item Code	Outer Dimensions		
	W	H	D
B24-2*	24	34.5	24
B27	27	34.5	24
B30	30	34.5	24
B33	33	34.5	24
B36	36	34.5	24
B39	39	34.5	24

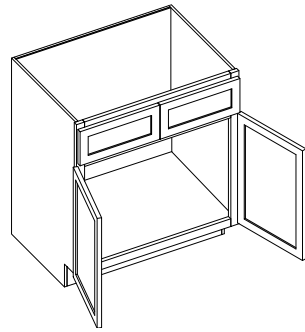
*B24-2 has one drawer and two doors

Desk Drawer Base



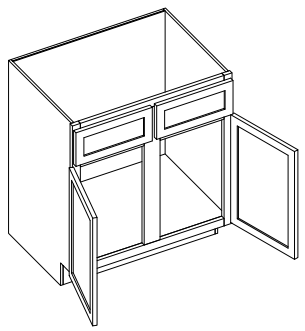
Item Code	Outer Dimensions		
	W	H	D
DDB18	18	29.5	24

Sink Base



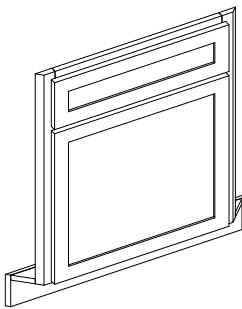
Item Code	Outer Dimensions		
	W	H	D
SB30	30	34.5	24
SB33	33	34.5	24
SB36	36	34.5	24

Sink Base with Center Stile



Item Code	Outer Dimensions		
	W	H	D
SB42	42	34.5	24
SB48	48	34.5	24

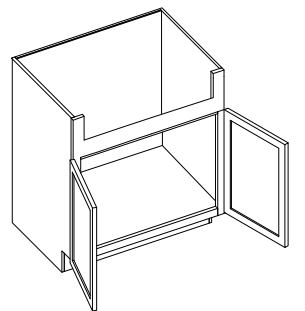
Corner Sink Front



Item Code	Outer Dimensions		
	W	H	D
CSF42	27	34.5	2
CSF-FLOOR*	48	0.5	48

*Sink floor not pictured and sold separately
*Back of face frame measures 27" wide

36" Farm Sink Base

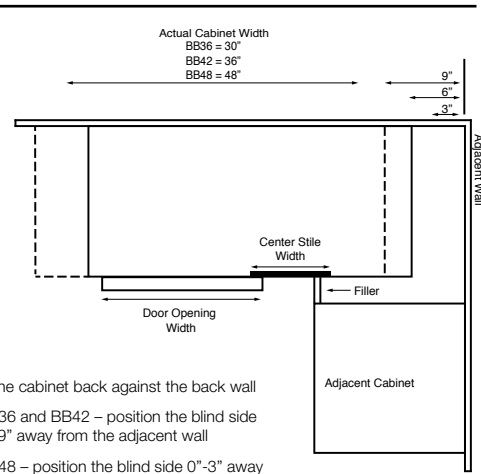


Item Code	Outer Dimensions		
	W	H	D
FSB36	36	34.5	24

*Height of sink inset is 13.5"

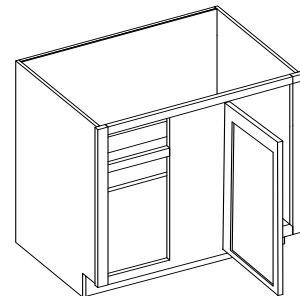
Installing a Blind Base Cabinet

Proper installation ensures that the drawer will clear hardware, and doors will open, and show correct reveal



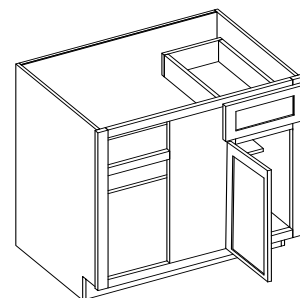
- Place the cabinet back against the back wall
 - BB36 and BB42 - position the blind side 6"-9" away from the adjacent wall
 - BB48 - position the blind side 0"-3" away from the adjacent wall
- Place at least a 3" filler next to adjacent cabinet

36" Blind Base



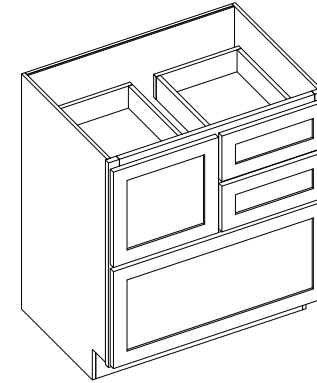
Item Code	Outer Dimensions		
	W	H	D
BB36	30	34.5	24

42" - 48" Blind Base



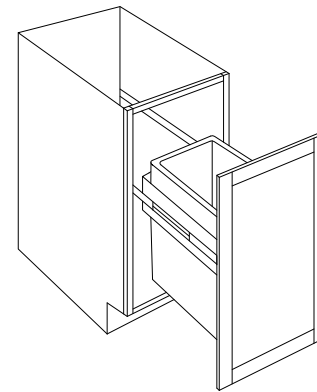
Item Code	Outer Dimensions		
	W	H	D
BB42	42	34.5	24
BB48	48	34.5	24

Cooking Center



Item Code	Outer Dimensions		
	W	H	D
CC30	30	34.5	24

Trash Can Base (Full Height)

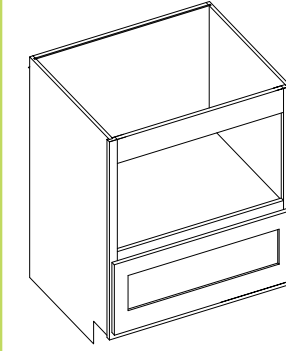


Item Code	Outer Dimensions		
	W	H	D
TRB-1*	18	34.5	24
TRB-2**	18	34.5	24

*Includes one 50 QT can
**Includes two 35 QT cans

Undermount trash can insert (TCCK) for standard B18 located on page 16

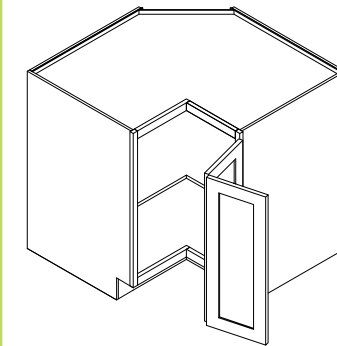
Microwave Base Cabinet



Item Code	Outer Dimensions		
	W	H	D
MBC30	30	34.5	24

*Finished interior

Easy Reach

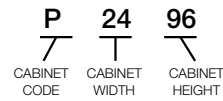


Item Code	Outer Dimensions		
	W	H	D
ER33	33	34.5	24
ER36	36	34.5	24

*Lazy Susan Kit (LSK) sold separately



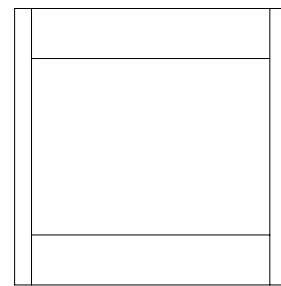
Tall Cabinet Coding



Notes:

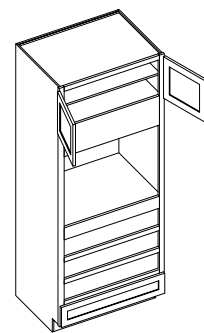
- Standard tall cabinets are 24" deep.
- Add door thickness for total cabinet depth.
- Please refer to the Products by Cabinet Line chart to determine which products are carried for each cabinet line.

Oven Cabinet Overlay Panel



Item Code	Outer Dimensions		
	W	H	D
OP3353	32.5	53	0.75

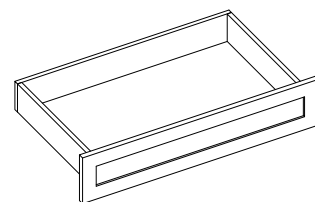
Oven Cabinet (Includes One Drawer)



Item Code	Outer Dimensions		
	W	H	D
OC3390	33	90	24
OC3396	33	96	24

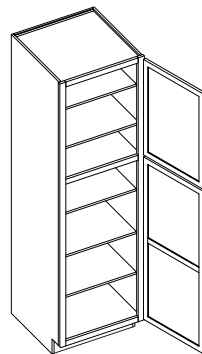
*Includes one drawer

Oven Cabinet Drawer



Item Code	Outer Dimensions		
	W	H	D
OCD337	32.5	6.75	24

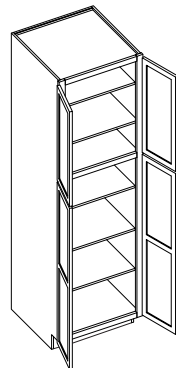
Single Door Pantry



Item Code	Outer Dimensions		
	W	H	D
P1884*	18	84	24
P1890*	18	90	24
P1896**	18	96	24

*Includes four shelves
**Includes five shelves

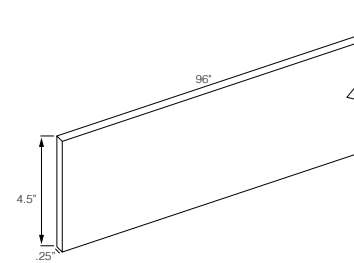
24" and 30" Double Door Pantry



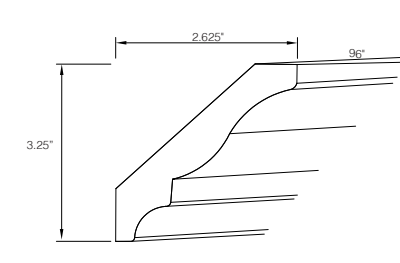
Item Code	Outer Dimensions		
	W	H	D
P2484*	24	84	24
P2490*	24	90	24
P2496**	24	96	24
P3090*	30	90	24
P3096**	30	96	24

*Includes four shelves
**Includes five shelves

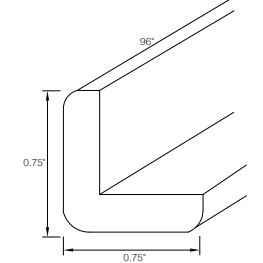
Toe Kick - TKS8



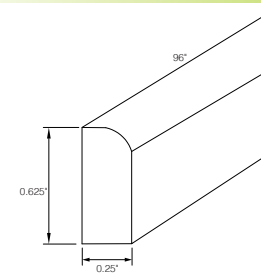
Large Crown Molding - BCM8



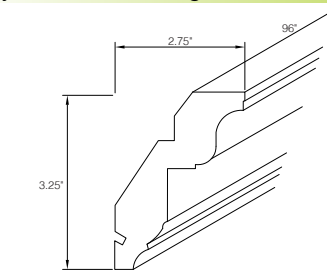
Outside Corner Molding - OCM8



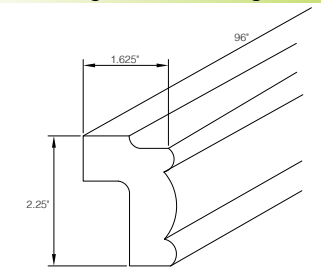
Scribe - SCRIBE



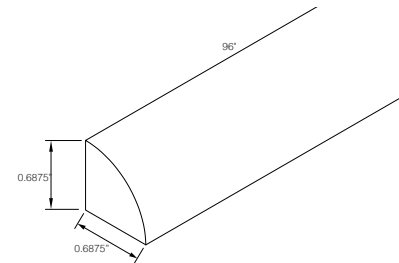
Royal Crown Molding - RCM8



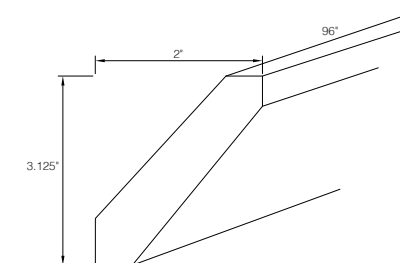
Traditional Light Rail Molding - LRM8



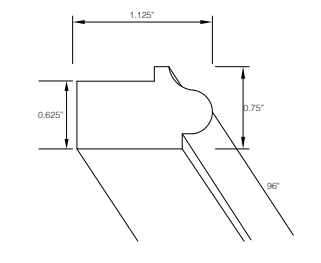
Shoe - SHOE



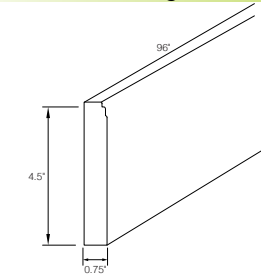
Shaker Crown Molding - SCM8



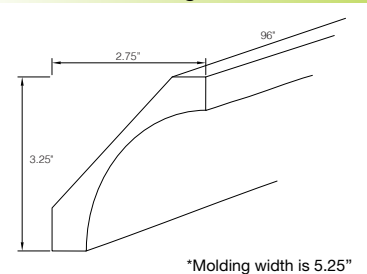
Bottom Edge Molding - BEM8



Furniture Base Molding - FBM8

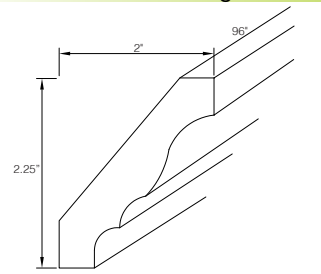


Cove Crown Molding - COM8

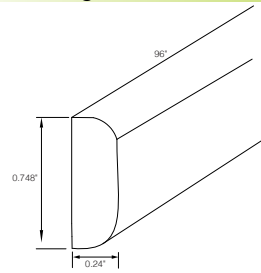


*Molding width is 5.25"

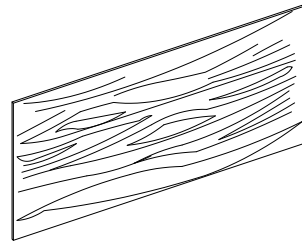
Traditional Crown Molding - CM8



Batton Molding - BAM8



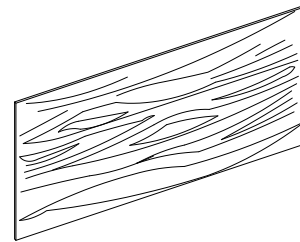
Back Panel - Long Grain Plywood



Item Code	Outer Dimensions		
	W	H	D
BPLG4896	48	96	0.25

*Finished one side, raw back

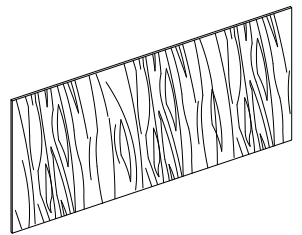
1/2" Thick Finished Plywood Panel



Item Code	Outer Dimensions		
	W	H	D
PSP4896	96	48	0.5

*Finished one side, natural UV back

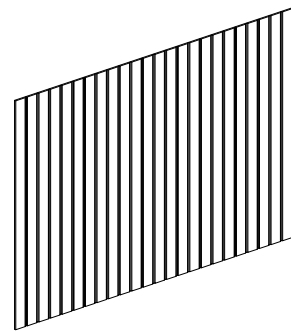
Back Panel - Short Grain Plywood



Item Code	Outer Dimensions		
	W	H	D
BPSG9648	96	48	0.25

*Finished one side, raw back

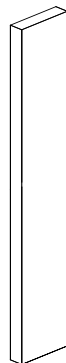
Bead Board



Item Code	Outer Dimensions		
	W	H	D
BBP4842	48	42	0.25

*Finished one side, raw back

Filler



Item Code	Outer Dimensions		
	W	H	D
F396	3	96	0.75
F696	6	96	0.75

*All four edges finished

Overlay Filler



Item Code	Outer Dimensions		
	W	H	D
OLF330	2.5	28.75	0.75
OLF336	2.5	34.75	0.75
OLF342	2.5	40.75	0.75
OLF384	2.5	82.75	0.75
OLF390	2.5	88.75	0.75
OLF396	2.5	94.75	0.75
OLF630**	5.5	28.75	0.75

*All four edges finished
**Available only in Premier

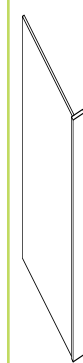
Fluted Filler



Item Code	Outer Dimensions		
	W	H	D
FF396	3	96	0.75

*All four edges finished

Dishwasher End Panel



Item Code	Outer Dimensions		
	W	H	D
DWR3	3	34.5	24

*0.5" panel thickness
*Finished one side, natural UV back
*Value series finished on both sides

Tall End Panel



Item Code	Outer Dimensions		
	W	H	D
TEP3096	1.5	96	30

*0.5" panel thickness
*Finished one side, natural UV back
*Value Series finished on both sides

Bookcase End



Item Code	Outer Dimensions		
	W	H	D
BCE1596	1.5	96	15

*Requires shelf
*Shelf clips available
*0.5" panel thickness

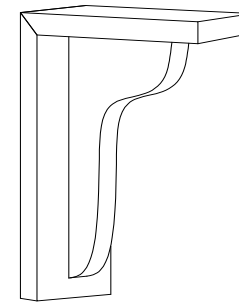
Shelf



Item Code	Outer Dimensions		
	W	H	D
**SHELF1296	96	0.625	12
***SHELF2496	96	0.625	24

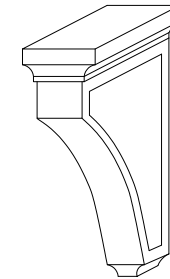
*All sides finished
*3/4" plywood construction
**Available in natural or painted
***Available in natural only

Corbel - Basic Medium



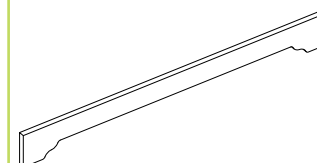
Item Code	Outer Dimensions		
	W	H	D
CORSM	3	10.5	7.5

Corbel - Transitional



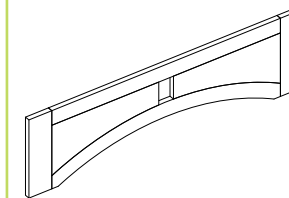
Item Code	Outer Dimensions		
	W	H	D
CORT	3.5	10.5	7

Furniture Valance



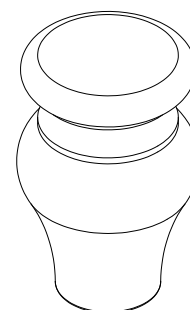
Item Code	Outer Dimensions		
	W	H	D
VFURN37	37	4.5	0.75
VFURN43	43	4.5	0.75

Raised Panel Valance



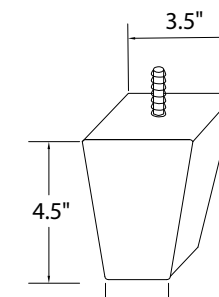
Item Code	Outer Dimensions		
	W	H	D
VRP42	42	12	0.75
VRP48	48	12	0.75

Bunfoot



Item Code	Outer Dimensions		
	W	H	D
TBUNFOOT	3	4.5	3

Bunfoot - Transitional



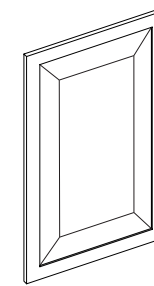
Item Code	Outer Dimensions		
	H	Top	Bottom
TBUNFOOT2	4.5	3.5	2

Turned Post



Item Code	Outer Dimensions		
	W	H	D
TPOSTP3	3	35.5	3
TPOSTP5	5	35.5	5

Decorative Base/Wall Panels



Item Code	Outer Dimensions		
	W	H	D
DWP1215	11.5	13.75	0.75
DWP2415	22.5	13.75	0.75
DWP1230	11.5	28.75	0.75
DWP2430	23.5	28.75	0.75
DWP1236	11.5	34.75	0.75
DWP1242	11.5	40.75	0.75

Floating Shelves

Finish Options:
Maple - Unfinished
Dark Walnut - Finished
White Oak - Finished

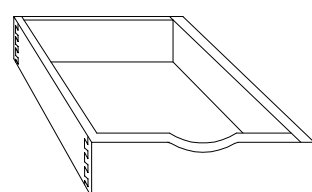
Size Options:
Widths - 12" / 24" / 30" / 36" / 42"
Depth is 10"

Includes Brackets and Fasteners



YN-FSM1012	Maple 12"x10"
YN-FSM1024	Maple 24"x10"
YN-FSM1030	Maple 30"x10"
YN-FSM1036	Maple 36"x10"
YN-FSM1042	Maple 42"x10"
YN-FSWALNUT12	Walnut 12"x10"
YN-FSWALNUT24	Walnut 24"x10"
YN-FSWALNUT30	Walnut 30"x10"
YN-FSWALNUT36	Walnut 36"x10"
YN-FSWALNUT42	Walnut 42"x10"
YN-FSWTOAK12	White Oak 12"x10"
YN-FSWTOAK24	White Oak 24"x10"
YN-FSWTOAK30	White Oak 30"x10"
YN-FSWTOAK36	White Oak 36"x10"
YN-FSWTOAK42	White Oak 42"x10"
YN-FSBRKT	Brackets with screws for L & R

Soft Close Roll Out Tray



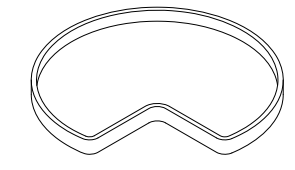
Item Code	Outer Dimensions		
	W	H	D
ROT15-SC	11.4375	4	21
ROT18-SC	14.375	4	21
ROT21-SC	17.4375	4	21
ROT24-SC	20.25	4	21
ROT27-SC	23.125	4	21
ROT30-SC	26.125	4	21
ROT36-SC	32.125	4	21

• Includes two trays and four tracks

Roll Out Tray Usage Guide

Item Code	Designed to Fit
ROT15-SC	B15, VB15
ROT18-SC	B18, P1884, P1890, P1896, VB18
ROT21-SC	B21
ROT24-SC	B24, P2484, P2490, P2496, V24-2
ROT27-SC	B27, V27
ROT30-SC	B30, SB30, P3084, P3090, P3096, V30
ROT36-SC	B36, SB36, V36

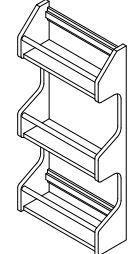
Lazy Susan Kit



Item Code	Outer Dimensions		
	W	H	D
LSK	29	1.5	29

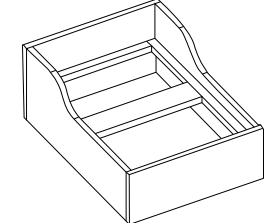
• Includes two trays for shelf mounting
• Birch plywood construction

Spice Rack Door Attachment



Item Code	Outer Dimensions		
	W	H	D
SRD12	11.5	24	4
SRD15	14.5	24	4

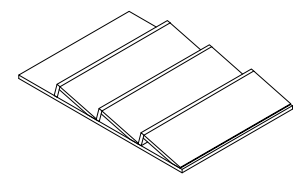
Trash Can Insert for B18



Item Code	Outer Dimensions		
	W	H	D
TCK	14.625	4.125	19.75

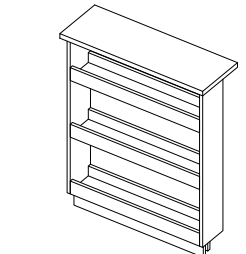
• Dovetail, solid wood construction
• Undermount, full extension, soft close slides
• Includes two 35 QT cans

Spice Rack Tray Insert



Item Code	Outer Dimensions		
	W	H	D
STI14	13.375	1.094	19.75
STI20	19.75	1.094	19.75

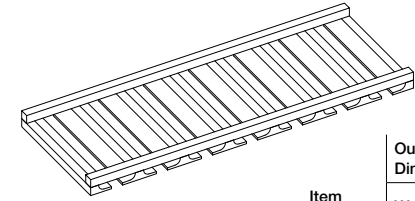
Spice Rack Insert



Item Code	Outer Dimensions		
	W	H	D
SRI9	5.75	24	20.5

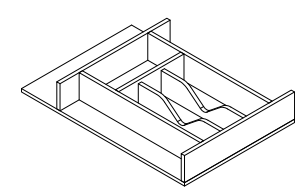
• Fits in the B09 and W930

Stemware Rack




Item Code	Outer Dimensions		
	W	H	D
SWR3012	28.5	1.5	10.5

Cutlery Drawer Insert



Item Code	Outer Dimensions		
	W	H	D
CDI14	13.375	1.75	19.75
CDI20	19.75	1.75	19.75

Shelf



Item Code	Outer Dimensions		
	W	H	D
**SHELF1296	96	0.625	12
***SHELF2496	96	0.625	24

• All sides finished
• 3/4" plywood construction
**Available in natural or painted
***Available in natural only

Item Code	Item Description	Shaker Designer White	Shaker Espresso or Sand	Brooklyn Modern Gray	Brooklyn Bright White	Brooklyn Slate	Brooklyn Midnight Navy	Napa White	White	Gray
		Premier							Essential	
Wall Cabinets										
W3012	Double Door Wall Cabinet - 30" W x 12" H	✓	✓	✓	✓	✓	✓	✓	✓	✓
W3612	Double Door Wall Cabinet - 36" W x 12" H	✓	✓	✓	✓	✓	✓	✓	✓	✓
W3015	Double Door Wall Cabinet - 30" W x 15" H	✓	✓	✓	✓	✓	✓	✓	✓	✓
W3315	Double Door Wall Cabinet - 33" W x 15" H	✓	✓	✓	✓	✓	✓	✓	✓	✓
W3615	Double Door Wall Cabinet - 36" W x 15" H	✓	✓	✓	✓	✓	✓	✓	✓	✓
WS1215	15" Wall Stacking Cabinets with Glass	✓	✓	✓	✓	✓	✓	✓	-	-
WS1515	15" Wall Stacking Cabinets with Glass	✓	✓	✓	✓	✓	✓	✓	-	-
WS1815	15" Wall Stacking Cabinets with Glass	✓	✓	✓	✓	✓	✓	✓	-	-
WS2115	15" Wall Stacking Cabinets with Glass	✓	✓	✓	✓	✓	✓	✓	-	-
WS2415-2	15" Wall Stacking Cabinets with Glass	✓	✓	✓	✓	✓	✓	✓	-	-
WS2715-2	15" Wall Stacking Cabinets with Glass	✓	✓	✓	✓	✓	✓	✓	-	-
WS3015-2	15" Wall Stacking Cabinets with Glass	✓	✓	✓	✓	✓	✓	✓	-	-
WS3315-2	15" Wall Stacking Cabinets with Glass	✓	✓	✓	✓	✓	✓	✓	-	-
WS3615-2	15" Wall Stacking Cabinets with Glass	✓	✓	✓	✓	✓	✓	✓	-	-
W3018	Double Door Wall Cabinet - 30" W x 18" H	✓	✓	✓	✓	✓	✓	✓	✓	✓
W3318	Double Door Wall Cabinet - 33" W x 18" H	✓	✓	✓	✓	✓	✓	✓	-	-
W3618	Double Door Wall Cabinet - 36" W x 18" H	✓	✓	✓	✓	✓	✓	✓	✓	✓
W3021	Double Door Wall Cabinet - 30" W x 21" H	✓	✓	✓	✓	✓	✓	✓	-	-
W3024	Double Door Wall Cabinet - 30" W x 24" H	✓	✓	✓	✓	✓	✓	✓	✓	✓
W3324	Double Door Wall Cabinet - 33" W x 24" H	✓	✓	✓	✓	✓	✓	✓	-	-
W3624	Double Door Wall Cabinet - 36" W x 24" H	✓	✓	✓	✓	✓	✓	✓	✓	✓
W361824	Deep Wall Cabinet - 36" W x 18" H x 24" D	✓	✓	✓	✓	✓	✓	✓	✓	✓
W362424	Deep Wall Cabinet - 36" W x 24" H x 24" D	✓	✓	✓	✓	✓	✓	✓	✓	✓
W930	Single Door Wall Cabinet - 9" W x 30" H	✓	✓	✓	✓	✓	✓	✓	✓	✓
W1230	Single Door Wall Cabinet - 12" W x 30" H	✓	✓	✓	✓	✓	✓	✓	✓	✓
W1530	Single Door Wall Cabinet - 15" W x 30" H	✓	✓	✓	✓	✓	✓	✓	✓	✓
W1830	Single Door Wall Cabinet - 18" W x 30" H	✓	✓	✓	✓	✓	✓	✓	✓	✓
W2130	Single Door Wall Cabinet - 21" W x 30" H	✓	✓	✓	✓	✓	✓	✓	✓	✓
W936	Single Door Wall Cabinet - 9" W x 36" H	✓	✓	✓	✓	✓	✓	✓	✓	✓
W1236	Single Door Wall Cabinet - 12" W x 36" H	✓	✓	✓	✓	✓	✓	✓	✓	✓
W1536	Single Door Wall Cabinet - 15" W x 36" H	✓	✓	✓	✓	✓	✓	✓	✓	✓
W1836	Single Door Wall Cabinet - 18" W x 36" H	✓	✓	✓	✓	✓	✓	✓	✓	✓
W2136	Single Door Wall Cabinet - 21" W x 36" H	✓	✓	✓	✓	✓	✓	✓	✓	✓
W2430-2	Double Door Wall Cabinet - 24" W x 30" H	✓	✓	✓	✓	✓	✓	✓	✓	✓
W2730	Double Door Wall Cabinet - 27" W x 30" H	✓	✓	✓	✓	✓	✓	✓	✓	✓
W3030	Double Door Wall Cabinet - 30" W x 30" H	✓	✓	✓	✓	✓	✓	✓	✓	✓
W3330	Double Door Wall Cabinet - 33" W x 30" H	✓	✓	✓	✓	✓	✓	✓	✓	✓
W3630	Double Door Wall Cabinet - 36" W x 30" H	✓	✓	✓	✓	✓	✓	✓	✓	✓
W3930	Double Door Wall Cabinet - 39" W x 30" H	✓	✓	✓	✓	✓	✓	✓	-	-
W2436-2	Double Door Wall Cabinet - 24" W x 36" H	✓	✓	✓	✓	✓	✓	✓	✓	✓
W2736	Double Door Wall Cabinet - 27" W x 36" H	✓	✓	✓	✓	✓	✓	✓	✓	✓
W3036	Double Door Wall Cabinet - 30" W x 36" H	✓	✓	✓	✓	✓	✓	✓	✓	✓
W3336	Double Door Wall Cabinet - 33" W x 36" H	✓	✓	✓	✓	✓	✓	✓	✓	✓
W3636	Double Door Wall Cabinet - 36" W x 36" H	✓	✓	✓	✓	✓	✓	✓	✓	✓
W3936	Double Door Wall Cabinet - 39" W x 36" H	✓	✓	✓	✓	✓	✓	✓	-	-
W4230	Double Door Wall Cabinet - 42" W x 30" H	✓	✓	✓	✓	✓	✓	✓	-	-
W4236	Double Door Wall Cabinet - 42" W x 36" H	✓	✓	✓	✓	✓	✓	✓	-	-

Note: Accessories displayed on this page can be installed on assembled orders

Products by Cabinet Line

Item Code	Item Description	Shaker Designer White	Shaker Espresso or Sand	Brooklyn Modern Gray	Brooklyn Bright White	Brooklyn Slate	Brooklyn Midnight Navy	Napa White	White	Gray
		Premier							Essential	
Wall Cabinets										
BW2430	Blind Wall Cabinet - 24" W x 30" H	✓	✓	✓	✓	✓	✓	✓	-	-
BW3030	Blind Wall Cabinet - 30" W x 30" H	✓	✓	✓	✓	✓	✓	✓	-	-
BW3630	Blind Wall Cabinet - 36" W x 30" H	✓	✓	✓	✓	✓	✓	✓	-	-
BW2436	Blind Wall Cabinet - 24" W x 36" H	✓	✓	✓	✓	✓	✓	✓	-	-
BW3036	Blind Wall Cabinet - 30" W x 36" H	✓	✓	✓	✓	✓	✓	✓	-	-
BW3636	Blind Wall Cabinet - 36" W x 36" H	✓	✓	✓	✓	✓	✓	✓	✓	✓
CW2430	Corner Wall Cabinet - 24" W x 30" H	✓	✓	✓	✓	✓	✓	✓	✓	✓
CW2436	Corner Wall Cabinet - 24" W x 36" H	✓	✓	✓	✓	✓	✓	✓	✓	✓
CW2736	Corner Wall Cabinet - 27" W x 36" H	✓	✓	✓	✓	✓	✓	✓	✓	✓
CWS2415	15" Corner Wall Stacking Cabinets - 24" W	✓	✓	✓	✓	✓	✓	✓	-	-
CWS2735	15" Corner Wall Stacking Cabinets - 27" W	✓	✓	✓	✓	✓	✓	✓	-	-
W942	Single Door Wall Cabinet - 9" W x 42" H	✓	✓	✓	✓	✓	✓	✓	✓	✓
W1242	Single Door Wall Cabinet - 12" W x 42" H	✓	✓	✓	✓	✓	✓	✓	✓	✓
W1542	Single Door Wall Cabinet - 15" W x 42" H	✓	✓	✓	✓	✓	✓	✓	✓	✓
W1842	Single Door Wall Cabinet - 18" W x 42" H	✓	✓	✓	✓	✓	✓	✓	✓	✓
W2142	Single Door Wall Cabinet - 21" W x 42" H	✓	✓	✓	✓	✓	✓	✓	✓	✓
W2442-2	Double Door Wall Cabinet - 24" W x 42" H	✓	✓	✓	✓	✓	✓	✓	✓	✓
W2742	Double Door Wall Cabinet - 27" W x 42" H	✓	✓	✓	✓	✓	✓	✓	✓	✓
W3042	Double Door Wall Cabinet - 30" W x 42" H	✓	✓	✓	✓	✓	✓	✓	✓	✓
W3342	Double Door Wall Cabinet - 33" W x 42" H	✓	✓	✓	✓	✓	✓	✓	✓	✓
W3642	Double Door Wall Cabinet - 36" W x 42" H	✓	✓	✓	✓	✓	✓	✓	✓	✓
W3942	Double Door Wall Cabinet - 39" W x 42" H	✓	✓	✓	✓	✓	✓	✓	✓	✓
W4242	Double Door Wall Cabinet - 42" W x 42" H	✓	✓	✓	✓	✓	✓	✓	-	-
BW2442	Blind Wall Cabinet - 24" W x 42" H	✓	✓	✓	✓	✓	✓	✓	-	-
BW3042	Blind Wall Cabinet - 30" W x 42" H	✓	✓	✓	✓	✓	✓	✓	-	-
BW3642	Blind Wall Cabinet - 36" W x 42" H	✓	✓	✓	✓	✓	✓	✓	✓	✓
CW2442	Corner Wall Cabinet - 24" W x 42" H	✓	✓	✓	✓	✓	✓	✓	✓	✓
CW2742	Corner Wall Cabinet - 27" W x 42" H	✓	✓	✓	✓	✓	✓	✓	✓	✓
DWR1548	Wall Twr w/ 3 Drws - 15" W x 48" H x 14.5" D	✓+	✓	✓	✓	✓	✓	✓	-	-
DWR1554	Wall Twr w/ 3 Drws - 15" W x 54" H x 14.5" D	✓+	✓	✓	✓	✓	✓	✓	-	-
DWR1560	Wall Twr w/ 3 Drws - 15" W x 60" H x 14.5" D	✓+	✓	✓	✓	✓	✓	✓	-	-
WR3018	Wine Rack - 30" W x 18" H x 12" D	✓	✓	✓	✓	✓	✓	✓	✓	✓
Base Cabinets										
B09	Single Door Full Height Base Cabinet - 9" W	✓	✓	✓	✓	✓	✓	✓	✓	✓
B12	Single Door Standard Base Cabinet - 12" W	✓+	✓	✓	✓	✓	✓	✓	✓	✓
B15	Single Door Standard Base Cabinet - 15" W	✓+	✓	✓	✓	✓	✓	✓	✓	✓
B18	Single Door Standard Base Cabinet - 18" W	✓+	✓	✓	✓	✓	✓	✓	✓	✓
B21	Single Door Standard Base Cabinet - 21" W	✓+	✓	✓	✓	✓	✓	✓	✓	✓
B24-2	Double Door Standard Base Cabinet - 24" W	✓+	✓	✓	✓	✓	✓	✓	✓	✓
B27	Double Door Standard Base Cabinet - 27" W	✓+	✓	✓	✓	✓	✓	✓	✓	✓
B30	Double Door Standard Base Cabinet - 30" W	✓+	✓	✓	✓	✓	✓	✓	✓	✓
B33	Double Door Standard Base Cabinet - 33" W	✓+	✓	✓	✓	✓	✓	✓	✓	✓
B36	Double Door Standard Base Cabinet - 36" W	✓+	✓	✓	✓	✓	✓	✓	✓	✓
B39	Double Door Standard Base Cabinet - 39" W	✓+	✓	✓	✓	✓	✓	✓	-	-
B42	Double Door Standard Base Cabinet - 42" W	✓+	✓	✓	✓	✓	✓	✓	-	-

*All Shaker Designer White drawers are available with either a slab drawer front or 5-Piece drawer front. All 5-Piece SKUs are notated with '5PC' on the Order Form

Products by Cabinet Line

Item Code	Item Description	Shaker Designer White	Shaker Espresso or Sand	Brooklyn Modern Gray	Brooklyn Bright White	Brooklyn Slate	Brooklyn Midnight Navy	Napa White	White	Gray
		Premier							Essential	
Base Cabinets										
DB12-3	Drawer Base Cabinet - 12" W	✓+	✓	✓	✓	✓	✓	✓	✓	✓
DB15-3	Drawer Base Cabinet - 15" W	✓+	✓	✓	✓	✓	✓	✓	✓	✓
DB18-3	Drawer Base Cabinet - 18" W	✓+	✓	✓	✓	✓	✓	✓	✓	✓
DB21-3	Drawer Base Cabinet - 21" W	✓+	✓	✓	✓	✓	✓	✓	✓	✓
DB24-3	Drawer Base Cabinet - 24" W	✓+	✓	✓	✓	✓	✓	✓	✓	✓
DB30-3	Drawer Base Cabinet - 30" W	✓+	✓	✓	✓	✓	✓	✓	✓	✓
DB36-3	Drawer Base Cabinet - 36" W	✓+	✓	✓	✓	✓	✓	✓	-	-
DB30-2	2 Drawer Base Cabinet - 30" W	✓+	✓	✓	✓	✓	✓	✓	-	-
CC30	Cooking Center Base Cabinet - 30" W	✓+	✓	✓	✓	✓	✓	✓	-	-
FSB36	Farm Sink Base Cabinet - 36" W	✓	✓	✓	✓	✓	✓	✓	-	-
TRB-1	Trash Can Base w/ Full Ht Door -18" W	✓	✓	✓	✓	✓	✓	✓	-	-
TRB-2	Trash Can Base w/ Full Ht Door -18" W	✓	✓	✓	✓	✓	✓	✓	-	-
SB30	Sink Base Cabinet - 30" W	✓+	✓	✓	✓	✓	✓	✓	✓	✓
SB33	Sink Base Cabinet - 33" W	✓+	✓	✓	✓	✓	✓	✓	✓	✓
SB36	Sink Base Cabinet - 36" W	✓+	✓	✓	✓	✓	✓	✓	✓	✓
SB42	Sink Base Cabinet w/ CS - 42" W	✓+	✓	✓	✓	✓	✓	✓	✓	✓
SB48	Sink Base Cabinet w/ CS - 48" W	✓+	✓	✓	✓	✓	✓	✓	-	-
CSF42	Corner Sink Front for 42" Space - 27" W	✓+	✓	✓	✓	✓	✓	✓	✓	✓
CSF-FLOOR	Natural Corner Sink Front Floor 48" x 48"	✓	✓	✓	✓	✓	✓	✓	-	-
BB36	Blind Base Cabinet for 36" to 39" Space - 30" W	✓	✓	✓	✓	✓	✓	✓	✓	✓
BB42	Blind Base Cabinet for 42" to 45" Space - 36" W	✓+	✓	✓	✓	✓	✓	✓	✓	✓
BB48	Blind Base Cab for 48" to 51" Space - 48" W	✓+	✓	✓	✓	✓	✓	✓	✓	✓
ER33	Easy Reach Base Cabinet - 33" W x 33" D	✓	✓	✓	✓	✓	✓	✓	-	-
ER36	Easy Reach Base Cabinet - 36" W x 36" D	✓	✓	✓	✓	✓	✓	✓	✓	✓
DDB18	Desk Drawer Base - 18" W x 29.5" H x 24" D	✓+	✓	✓	✓	✓	✓	✓	-	-
MBC30	Microwave Base Cabinet - 30" W	✓+	✓	✓	✓	✓	✓	✓	-	-
Tall Cabinets										
P1884	Pantry - 18" W x 84" H	✓	✓	✓	✓	✓	✓	✓	✓	✓
P1890	Pantry - 18" W x 90" H	✓	✓	✓	✓	✓	✓	✓	✓	✓
P1896	Pantry - 18" W x 96" H	✓	✓	✓	✓	✓	✓	✓	✓	✓
P2484	Pantry - 24" W x 84" H	✓	✓	✓	✓	✓	✓	✓	-	-
P2490	Pantry - 24" W x 90" H	✓	✓	✓	✓	✓	✓	✓	-	-
P2496	Pantry - 24" W x 96" H	✓	✓	✓	✓	✓	✓	✓	-	-
P3090	Pantry - 30" W x 90" H	✓	✓	✓	✓	✓	✓	✓	-	-
P3096	Pantry - 30" W x 96" H	✓	✓	✓	✓	✓	✓	✓	-	-
OC3390	Oven Cabinet - 33" W x 90" H	✓+	✓	✓	✓	✓	✓	✓	✓	✓
OC3396	Oven Cabinet - 33" W x 96" H	✓+	✓	✓	✓	✓	✓	✓	✓	✓
OP3353	Oven Cabinet Overlay Panel - 33" W x 53" H	✓	✓	✓	✓	✓	✓	✓	✓	✓
OCD337	Oven Cabinet Drawer	✓+	✓	✓	✓	✓	✓	✓	✓	✓
Moldings and Trim										
TKS8	Toe Kick	✓	✓	✓	✓	✓	✓	✓	✓	✓
SCRIBE	Scribe	✓	✓	✓	✓	✓	✓	✓	✓	✓
SHOE	Shoe Molding	✓	✓	✓	✓	✓	✓	✓	✓	✓
FBM8	Furniture Base Molding	✓	✓	✓	✓	✓	✓	✓	✓	✓
CM8	Traditional Crown Molding	-	-	✓	✓	✓	✓	✓	✓	✓
BCM8	Large Crown Molding	-	-	✓	✓	✓	✓	✓	✓	✓
RCM8	Royal Crown Molding	✓	✓	✓	✓	✓	✓	✓	✓	✓
SCM8	Shaker Crown Molding	✓	✓	-	-	-	-	-	✓	✓
COM8	Cove Crown Molding	✓	✓	✓	✓	✓	✓	✓	✓	✓
BAM8	Batten Molding	✓	✓	✓	✓	✓	✓	✓	✓	✓
OCM8	Outside Corner Molding	✓	✓	✓	✓	✓	✓	✓	✓	✓
LRM8	Traditional Light Rail	✓	✓	✓	✓	✓	✓	✓	✓	✓
BEM8	Bottom Edge Molding (Narrow Light Rail)	✓	✓	✓	✓	✓	✓	✓	✓	✓

Item Code	Item Description	Shaker Designer White	Shaker Espresso or Sand	Brooklyn Modern Gray	Brooklyn Bright White	Brooklyn Slate	Brooklyn Midnight Navy	Napa White	White	Gray
		Premier							Essential	
Fillers and Panels										
BPLG4896	Back Panel (Long Grain) - 48" W x 96" H	✓	✓	✓	✓	✓	✓	✓	✓	✓
BPSG9648	Back Panel (Short Grain) - 96" W x 48" H	-	✓	-	-	✓	✓	✓	-	-
BBP4842	Bead Board - 48" W x 42" H x 0.25" D	✓	✓	✓	✓	✓	✓	✓	✓	✓
PSP4896	1/2" Thick Finished Plywood Filler	✓	✓	✓	✓	✓	✓	✓	✓	✓
DWR3	Dish Washer End Panel	✓	✓	✓	✓	✓	✓	✓	✓	✓
TEP3096	Tall End Panel	✓	✓	✓	✓	✓	✓	✓	✓	✓
BCE1596	Book Case End - 1.5" W x 96" H x 15" D	✓	✓	✓	✓	✓	✓	✓	✓	✓
F396	Filler - 3" W x 96" H	✓	✓	✓	✓	✓	✓	✓	✓	✓
F696	Filler - 6" W x 96" H	✓	✓	✓	✓	✓	✓	✓	✓	✓
OLF330	Overlay Filler - 3" W x 30" H	✓	✓	✓	✓	✓	✓	✓	✓	✓
OLF336	Overlay Filler - 3" W x 36" H	✓	✓	✓	✓	✓	✓	✓	✓	✓
OLF342	Overlay Filler - 3" W x 42" H	✓	✓	✓	✓	✓	✓	✓	✓	✓
OLF384	Overlay Filler - 3" W x 84" H	-	-	✓	✓	✓	✓	✓	-	-
OLF390	Overlay Filler - 3" W x 90" H	-	-	✓	✓	✓	✓	✓	-	-
OLF396	Overlay Filler - 3" W x 96" H	-	-	✓	✓	✓	✓	✓	-	-
OLF630	Overlay Filler - 6" W x 30" H	✓	✓	✓	✓	✓	✓	✓	✓	✓
FF396	Fluted Filler - 3" W x 96" H	-	-	✓	✓	✓	✓	✓	✓	✓
Decorative Accessories										
CORSM	Basic Medium Corbel - 10.5" H	✓	✓	✓	✓	✓	✓	✓	✓	✓
CORT	Transitional Corbel	✓	✓	✓	✓	✓	✓	✓	✓	✓
TBUNFOOT	Bunfoot	✓	✓	✓	✓	✓	✓	✓	✓	✓
TBUNFOOT2	Transitional Bunfoot	✓	✓	✓	✓	✓	✓	✓	✓	✓
TPOSTP3	Turned Post - 3" W x 35.5" H	✓	✓	✓	✓	✓	✓	✓	✓	✓
TPOSTP5	Turned Post - 5" W x 35.5" H	✓	✓	✓	✓	✓	✓	✓	✓	✓
VFURN37	Furniture Valance - 37" W	✓	✓	✓	✓	✓	✓	✓	-	-
VFURN43	Furniture Valance - 43" W	✓	✓	✓	✓	✓	✓	✓	-	-
VRP42	Raised Panel Valance - 42" W	-	-	-	-	-	-	-	-	-
VRP48	Raised Panel Valance - 48" W	-	-	-	-	-	-	-	-	-
DWP1215	Decorative Wall Panel - 12" W x 15" H	✓	✓	✓	✓	✓	✓	✓	-	-
DWP1230	Decorative Wall Panel - 12" W x 30" H	✓	✓	✓	✓	✓	✓	✓	-	-
DWP1236	Decorative Wall Panel - 12" W x 36" H	✓	✓	✓	✓	✓	✓	✓	-	-
DWP1242	Decorative Wall Panel - 12" W x 42" H	✓	✓	✓	✓	✓	✓	✓	-	-
DWP2415	Decorative Wall Panel - 24" W x 15" H	✓	✓	✓	✓	✓	✓	✓	-	-
DWP2430	Decorative Wall Panel - 24" W x 30" H	✓	✓	✓	✓	✓	✓	✓	-	-

Item Code	Item Description	Shaker Designer White	Shaker Espresso or Sand	Brooklyn Modern Gray	Brooklyn Bright White	Brooklyn Slate	Brooklyn Midnight Navy	Napa White	White	Gray
		Premier							Essential	
Attachments and Inserts										
ROT15-SC	Natural Roll Out Tray for 15" Space (2/pkg)	✓	✓	✓	✓	✓	✓	✓	-	-
ROT18-SC	Natural Roll Out Tray for 18" Space (2/pkg)	✓	✓	✓	✓	✓	✓	✓	-	-
ROT21-SC	Natural Roll Out Tray for 21" Space (2/pkg)	✓	✓	✓	✓	✓	✓	✓	-	-
ROT24-SC	Natural Roll Out Tray for 24" Space (2/pkg)	✓	✓	✓	✓	✓	✓	✓	-	-
ROT27-SC	Natural Roll Out Tray for 27" Space (2/pkg)	✓	✓	✓	✓	✓	✓	✓	-	-
ROT30-SC	Natural Roll Out Tray for 30" Space (2/pkg)	✓	✓	✓	✓	✓	✓	✓	-	-
ROT36-SC	Natural Roll Out Tray for 36" Space (2/pkg)	✓	✓	✓	✓	✓	✓	✓	-	-
LSK	Natural Lazy Susan Kit (2/pkg)	✓	✓	✓	✓	✓	✓	✓	-	-
TCKK	Trash Can Insert for B18 with two 35 QT Trash Cans	✓	✓	✓	✓	✓	✓	✓	-	-
SRI9	Natural Spice Rack Insert for B9 Drawer	✓	✓	✓	✓	✓	✓	✓	-	-
CDI14	Natural Cutlery Drawer Insert for B15/B18	✓	✓	✓	✓	✓	✓	✓	-	-
CDI20	Natural Cutlery Drawer Insert for B21/B24	✓	✓	✓	✓	✓	✓	✓	-	-
SRD12	Natural Spice Rack Door Mount for 15" Door	✓	✓	✓	✓	✓	✓	✓	-	-
SRD15	Natural Spice Rack Door Mount for 18" Door	✓	✓	✓	✓	✓	✓	✓	-	-
STI14	Natural Spice Tray Drawer Insert for B15/B18	✓	✓	✓	✓	✓	✓	✓	-	-
STI20	Natural Spice Tray Drawer Insert for B21/B24	✓	✓	✓	✓	✓	✓	✓	-	-
SWR3012	Stemware Rack	✓	✓	✓	✓	✓	✓	✓	-	-
Miscellaneous Parts										
SHELF1296	Natural Shelf - 96" W x 12" D	✓	✓	✓	✓	✓	✓	✓	✓	✓
SHELF1296	Painted/Stained Shelf - 96" W x 12" D	✓	✓	✓	✓	✓	✓	✓	✓	✓
SHELF2496	Natural Shelf - 96" W x 24" D	✓	✓	✓	✓	✓	✓	✓	-	-
GLZPEN	Glaze Pen	-	-	-	-	-	-	-	-	-
GLZBRUSH	Glaze Brush	-	-	-	-	-	-	-	-	-
SPRAYCAN	Aerosol Spray Can	✓	✓	✓	✓	✓	✓	✓	-	-
TUKIT	Touch Up Kit	✓	✓	✓	✓	✓	✓	✓	-	-
YN-PAB	Plastic Assembly Blocks (100/pkg)	✓	✓	✓	✓	✓	✓	✓	-	-
YN-BRACKETS	Metal Assembly Bracket	✓	✓	✓	✓	✓	✓	✓	-	-
YN-SOFTCLOSE	Soft Close Hinge	✓	✓	✓	✓	✓	✓	✓	-	-
YN-ERHinge-Set	Easy Reach Hinges (Set of 4)	✓	✓	✓	✓	✓	✓	✓	-	-
YN-Softclose-CW	Soft Close Corner Wall Hinge	✓	✓	✓	✓	✓	✓	✓	-	-
YN-Drawer Slide-Kitchen	Drawer Slide-Kitchen Pair	✓	✓	✓	✓	✓	✓	✓	-	-
YN-SHELF CLIP	Shelf Clip	✓	✓	✓	✓	✓	✓	✓	-	-



Please refer to the following list for all standard modifications. Any cabinet that requires a modification must be assembled by the manufacturer. The price of the modification does NOT include the price for assembly. Orders that include modifications will be shipped within 10 business days once approval and payment have been received. Add your modification notes to the Special Instructions box on your RFQ.

Modification Code	Description	Cost
RDW	Reduce depth of wall cabinet	\$60.00
RDVS	Reduce depth to vanity sink base with false fronts	\$60.00
RDVD	Reduce depth to vanity base with drawer(s)	\$115.00 + \$15.00 per drawer
RDP	Reduce depth of pantry cabinet	\$115.00
ID	Increase depth of cabinet	\$230.00 + cost of (2) TEP's
FI	Cabinet with finished interior (painted cabinets only)	\$175.00
PFG	Prep for glass with finished interior* (routing of door)	\$60.00 per door
RB	Reverse base cabinet with drawer at bottom	\$90.00 + cost of shelf
BMW	Convert base cabinet into microwave cabinet	\$90.00 + cost of shelf
BSB	Convert base cabinet into sink base	\$30.00
FDS	Install full depth shelf in base cabinet	\$30.00 + cost of shelf
CLC	Custom length cuts for accessories and trim	\$15.00 per cut
FPI	Flat pack cabinet with finished interior (painted cabinets only)	\$200.00

*Interior routing of the door – Stain match color variations are possible.

NOTE: Any custom color is available and will double the cost of the cabinet.

Kitchen Cabinet Distributors warrants that all of its Products will be free from defects in workmanship and material for a period of **five years** from the date of shipment from our facility.

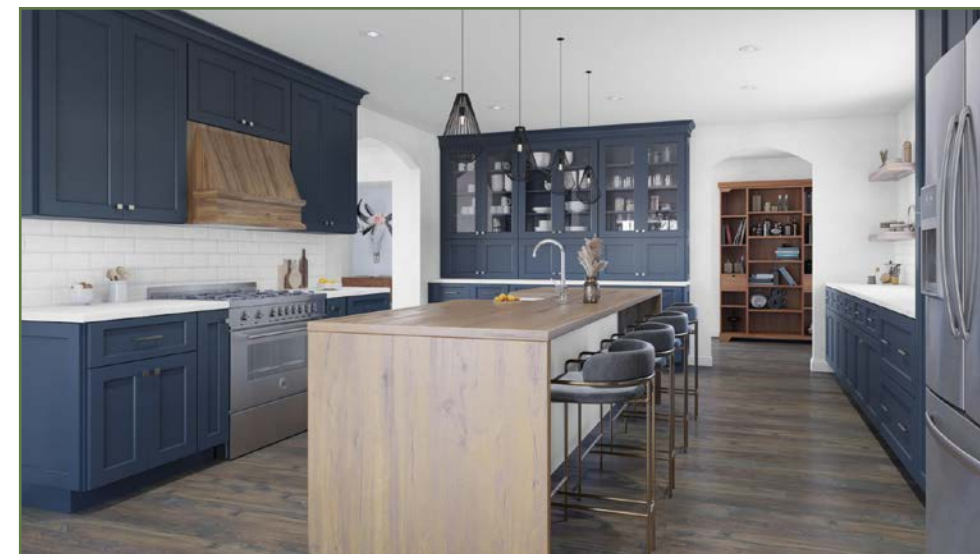
This limited warranty applies only to the use of our Products in normal residential use. Defects are defined as any imperfection that may prohibit the use of the cabinet in normal residential applications or which otherwise do not measure up to our quality standards. This warranty applies to the original owner and cannot be transferred to subsequent owners.

Defects do not include items beyond our reasonable control, including but not limited to the following:

- Wood and Color Variations – Natural variations in the color, textures and grain of the wood used to manufacture our cabinets or changes in the color of the wood caused by the natural aging process of the wood material are not considered defects.
- Wood Doors – Changes to wooden doors caused by changes in humidity, temperature and other local atmospheric conditions are not considered defects. Door warpage of up to 1/4" shall not be considered a defect.
- Painted Finishes – Changes (such as finish stress lines) caused by the use of non-porous woods (such as birch) or by changes in humidity, temperature and other local atmospheric conditions are not considered defects.
- Glazed Finishes – Glazed finishes are by nature uneven, and some edges and profiles will be larger than others. Glazed finishes may vary from item to item, resulting in variations in color, texture and finish. These types of variations are not considered defects.

Defects or damage caused by improper assembly or disassembly, intentional damage, misuse, product modifications, exposure to the elements, accident, or negligence on the part of persons other than Kitchen Cabinet Distributors is not covered by this limited warranty.

Kitchen Cabinet Distributors' obligation under this limited warranty is expressly limited to the replacement of the affected cabinets or component parts, at our discretion. This limited warranty does not cover the cost of assembly, installation, removal, subsequent damage or transportation of the defective Products regardless of whether the work was performed by customers or by a contractor, service company or consumer. Without limiting the foregoing, labor charges for removal or installation of warranted materials, as well as incidental and consequential damages, are excluded.



Standard Modification pricing is subject to change from time-to-time at manufacturers discretion.





mosaic 
 Products. Design. Solutions.

Alexandria, VA | Chantilly, VA | Fairfax, VA | Richmond, VA | Virginia Beach, VA
 North Bethesda, MD* | Owings Mills, MD* | Greensboro, NC | Raleigh, NC

www.mosaictileco.com



Noted (*) locations are 100% wind powered! All locations support renewable power sources.

